



InvoTech

YW series Scroll Compressors

**Special Design For
Heat Pump Water Heater**

*Be Capable of Running Perfectly at as low as -20°C Evap. Temp.
Without Any Extra Cooling to Discharge Gas
Design for Heating Water to As High As 80 °C +*

*It is the outstanding engineering capability
that builds the incomparable reliability*



Invotech Scroll Technologies Co., Ltd.

is a high-tech company.

We design and manufacture 3-15 HP scroll Compressors for refrigerated warehouse, cold room, freezer, A/C & chiller, heat pump etc.

Our company is founded by a group of engineers who formerly worked for the world's largest manufacturer of scroll compressors. We are a team of passionate and highly qualified professionals with more than 15 years of experience in this industry. In addition, we have received investments from several leading venture capital firms in series A funding rounds.

We are dedicated to providing our clients with world-class products and high standard of services.

For more information, please go to our website:

www.invotech.cn



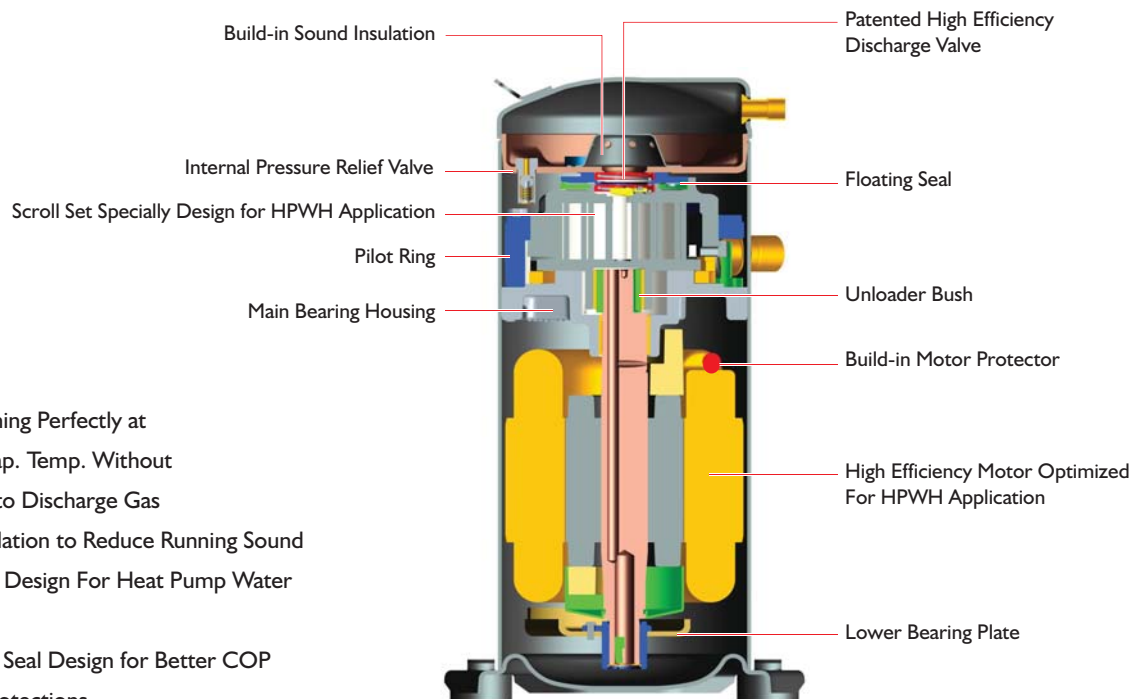
<i>Product Features</i>		1
<hr/>		
<i>Models</i>		2
<hr/>		
<i>Nomenclature</i>		3
<hr/>		
<i>Technical Specifications</i>		
Classic A Series	R22	4
Classic T Series	R407C	5
Ultra-High Temp. J Series	R134a	6
High Efficiency A Series	R22	7
<hr/>		
<i>Operating Envelope</i>		
Classic Series		8
Ultra-High Temp. J Series		9
High Efficiency A Series		10
<hr/>		
<i>Capacity</i>		
Classic Series		11
Ultra-High Temp. J Series		17
High Efficiency A Series		21
<hr/>		
<i>Dimensions</i>		23

*It is the outstanding engineering capability
that builds the incomparable reliability*

YW Series

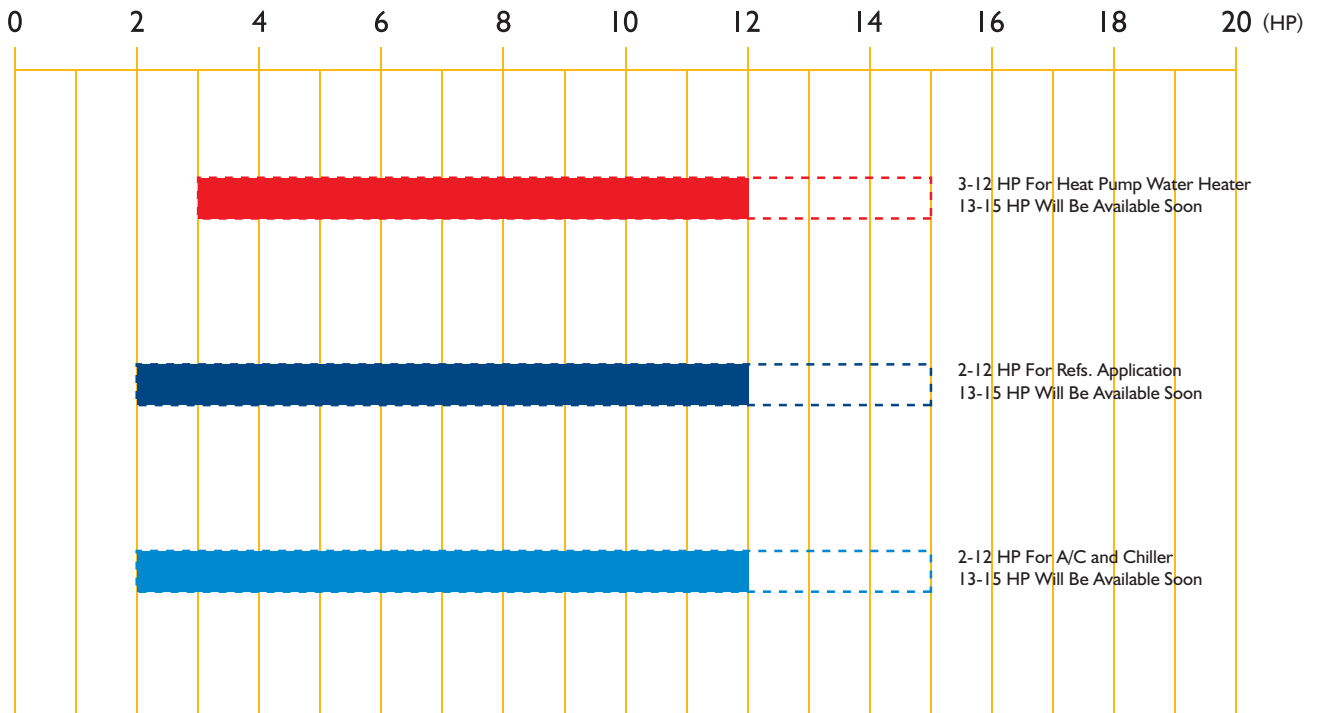
Scroll Compressors With Dual-Compliance For Heat Pump Water Heater

- Specific Design For Heat Pump Water Heater, Not Only The Scroll Set But Also The Unit, Precise Product-Definition Based On Customer's Need
- Both Build-in Radius and Axial Compliance Design, Improved Floating Seal Design for Better Energy Efficiency
- Excellent Discharge Temperature Management to Stretch Operation Envelope
- Accurate Calculation of Load and Sealing Force for Running Sound Optimization
- High Efficiency Motor Design



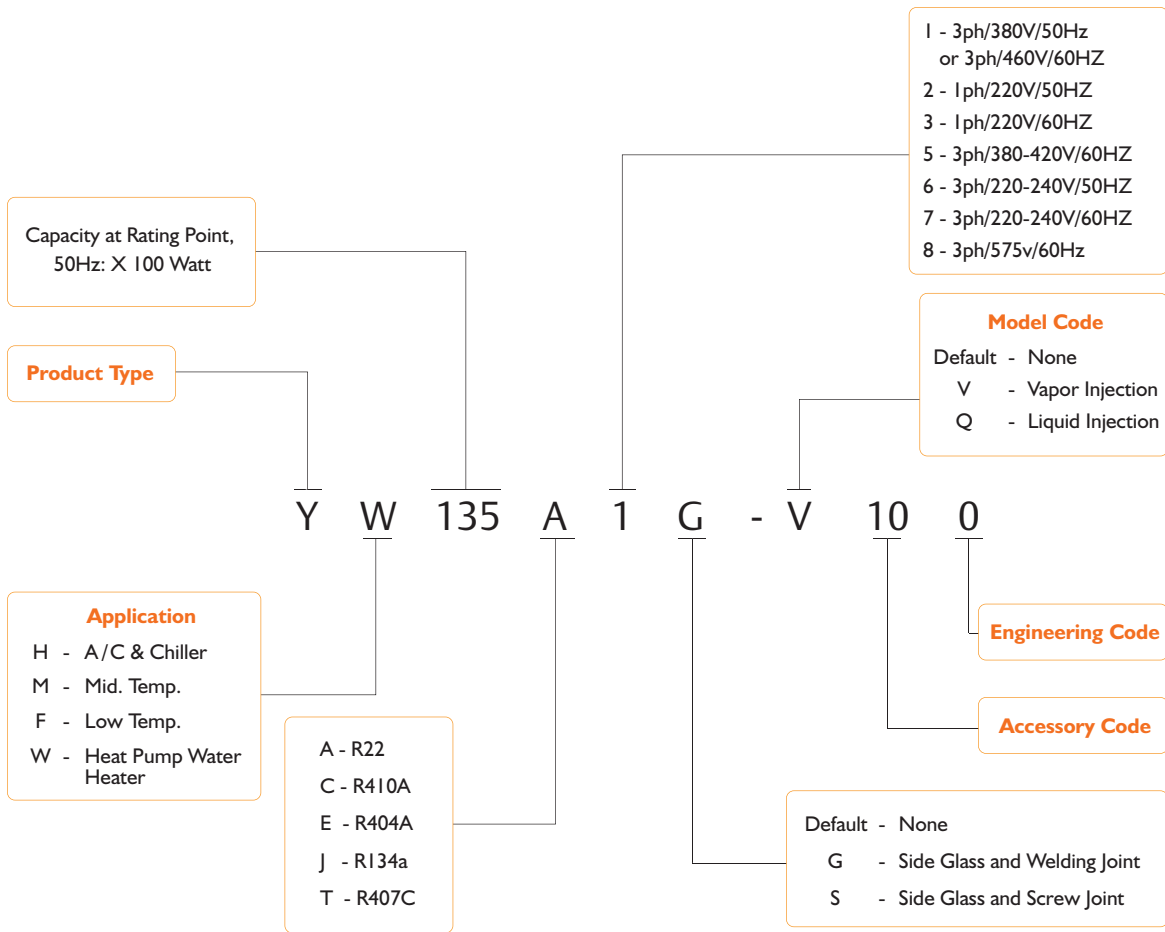
Features

- Be Capable of Running Perfectly at as low as -20°C Evap. Temp. Without Any Extra Cooling to Discharge Gas
- Build-in Sound Insulation to Reduce Running Sound
- Truly Specific Scroll Design For Heat Pump Water Heater Application
- Optimized Floating Seal Design for Better COP
- Multiple Internal Protections
 - High Pressure Protection
 - Overload Protection



YW Series

Nomenclature



Model	YW75A2 -100	YW110A2 -100	YW75A1 -100	YW110A1 -100	YW135A1 -100	YW160A1 -100	YW245A1 -100	YW285A1 -100	YW320A1 -100
Electricity	220V/50Hz/1P			380V/50Hz/3P					
	Single Phase			3 Phase					
Power in Horse Power(HP)	3	4	3	4	5	6	9	10	12
Refrigerant	R22								
Heating Capacity (W)	10200	15060	10200	15000	18000	21040	32670	37875	42460
Power in Watt (W)	2710	3860	2630	3800	4500	5260	8170	9375	10460
COP (W/W)	3.76	3.90	3.88	3.95	4.00	4.00	4.00	4.04	4.06
Running Current (A)	12.6	18.3	5.7	7.3	8.3	9.5	14.6	16.4	18
LRA (A)	76	109	45	60	60	65	117	121	121
MOC (A)	20.5	30.2	7.4	10.4	12.5	14.3	21.6	24.5	27.7
Crankcase Heater (W)				70			90		
Fitting Dimensions (Inch)									
Discharge Tube (OD)				1/2			7/8		
Suction Tube (OD)				7/8			1 1/8		
Product Dimensions(MM)									
Length (L)				239			260		
Width (W)				239			244		
Height (H)				418			508		
Feet Dimensions (Hole)	190X190(8.5)								
Oil Type	3GS								
Initial Charge Volume(L)				1.4			2.7		
Recharge Volume(L)				1.25			2.6		
Max Operating Pressure(MPa)									
High Side					3.0				
Low Side					2.0				
Weight(kg)	31	33	30	31	31	33	53	54	54

Classic A Series: Ambient Temp. 35°C, E.T. 5°C, C.T. 55°C, Subcooling 8.3K, S.H. 11.1K

Model	YW75T2 -100	YW110T2 -100	YW75T1 -100	YW110T1 -100	YW135T1 -100	YW160T1 -100	YW245T1 -100	YW285T1 -100	YW320T1 -100
Electricity	220V/50Hz/1P			380V/50Hz/3P					
	Single Phase			3 Phase					
Power in Horse Power(HP)	3	4	3	4	5	6	9	10	12
Refrigerant	R407C								
Heating Capacity (W)	10000	14650	9920	14590	17520	20480	31772	36829	41285
Power in Watt (W)	2740	3900	2660	3840	4550	5320	8252	9469	10565
COP (W/W)	3.65	3.76	3.73	3.80	3.85	3.85	3.85	3.89	3.91
Running Current (A)	12.7	18.5	5.8	7.4	8.4	9.6	14.7	16.6	18.2
LRA (A)	76	109	45	60	60	65	117	121	121
MOC (A)	20.7	30.5	7.5	10.5	12.5	14.5	21.8	24.7	30
Crankcase Heater (W)	70						90		
Fitting Dimensions (Inch)									
Discharge Tube (OD)	1/2						7/8		
Suction Tube (OD)	7/8						1 1/8		
Product Dimensions(MM)									
Length (L)	239						260		
Width (W)	239						244		
Height (H)	418						508		
Feet Dimensions (Hole)	190X190(8.5)								
Oil Type	POE								
Initial Charge Volume(L)	1.4						2.7		
Recharge Volume(L)	1.25						2.6		
Max Operating Pressure(MPa)									
High Side	3.0								
Low Side	2.0								
Weight(kg)	31	33	30	31	31	33	53	54	54

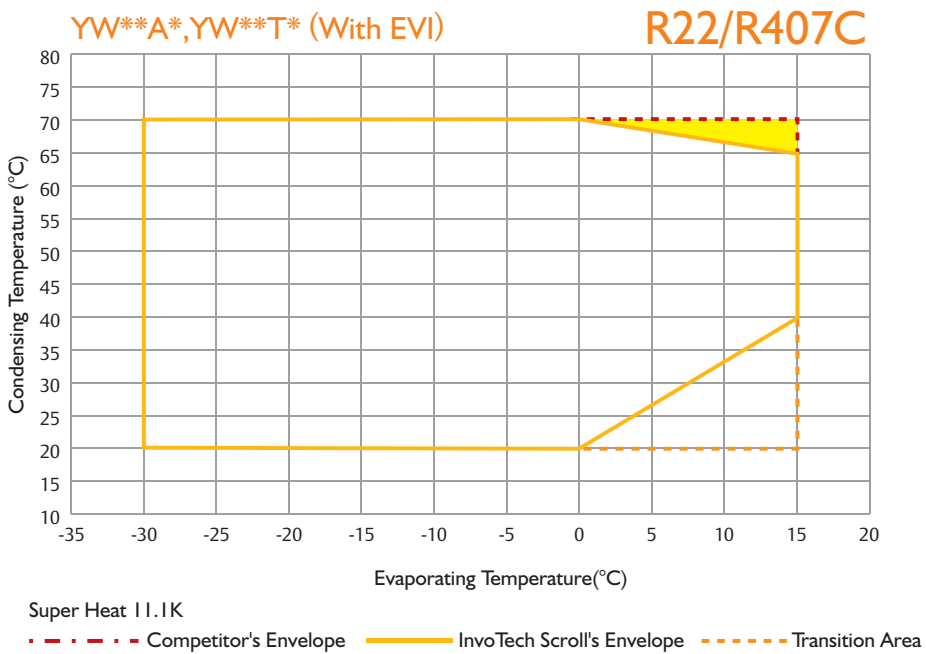
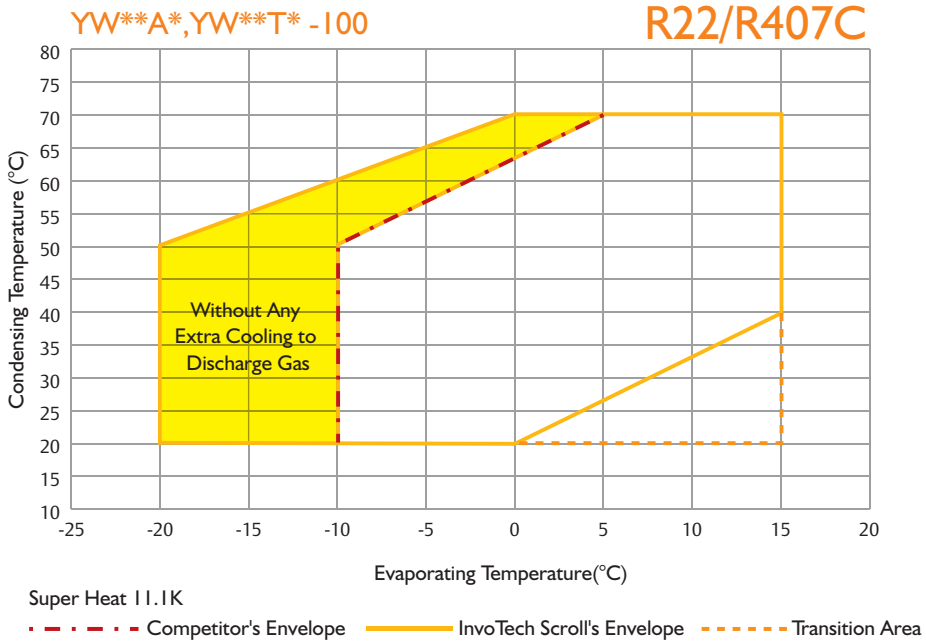
Classic A Series: Ambient Temp. 35°C, E.T. 5°C, C.T. 55°C, Subcooling 8.3K, S.H. 11.1K

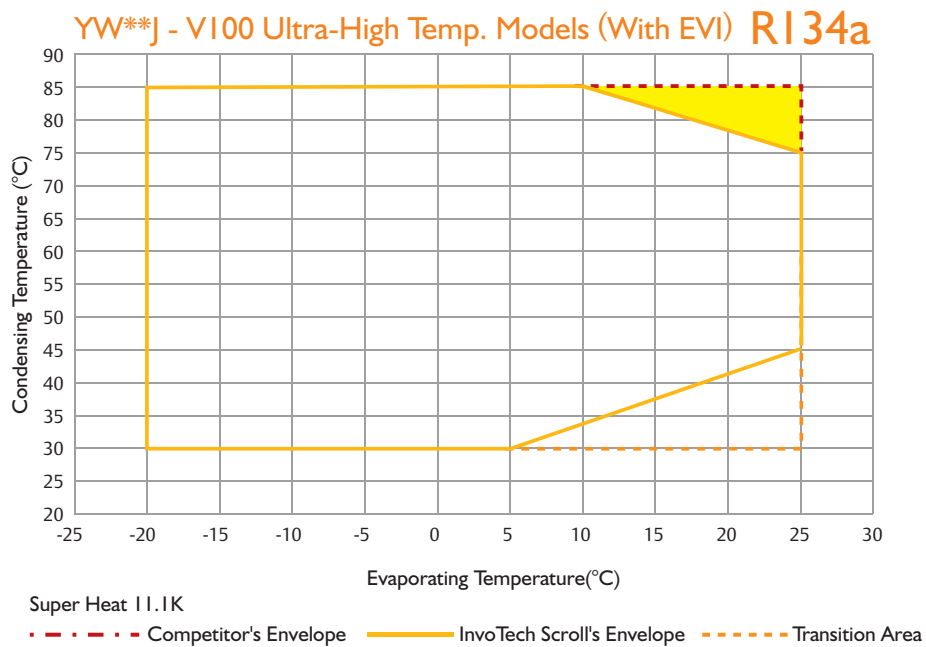
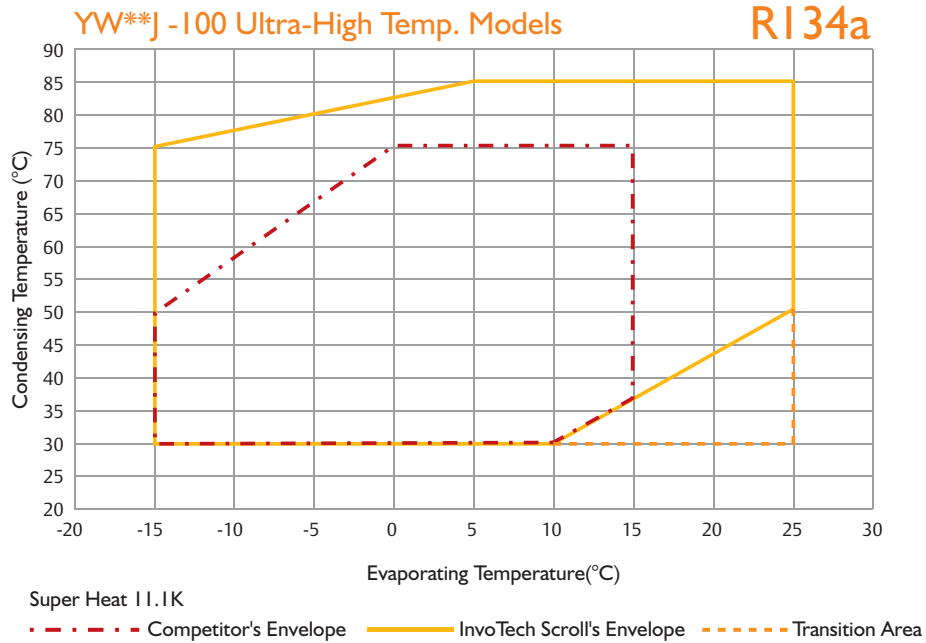
Model	YW55J2 -100	YW80J2 -100	YW55J1 -100	YW80J1 -100	YW100J1 -100	YW120J1 -100	YW140J1 -100	YW155J1 -100	YW180J1 -100	YW200J1 -100	YW240J1 -100	
Electricity	220V/50Hz/1P				380V/50Hz/3P							
	Single Phase				3 Phase							
Power in Horse Power(HP)	2.5	3.5	2.5	3.5	4	5	6	7	8	9	10	
Refrigerant	R134a											
Heating Capacity (W)	7180	10450	7180	10430	12300	15089	17530	18830	22070	25360	30928	
Power in Watt (W)	1700	2450	1670	2430	2950	3500	4030	4330	5070	5760	6950	
COP (W/W)	4.23	4.27	4.30	4.29	4.17	4.31	4.35	4.35	4.35	4.4	4.45	
Running Current (A)	7.9	11.6	4.0	5.7	6.2	7.2	14.9	9.5	10.5	11.4	12.4	
LRA (A)	76	109	45	60	60	65	117	117	117	121	121	
MOC (A)	13.6	23.2	6.5	9	10.4	12.3	15.1	16.4	18.8	20.3	24	
Crankcase Heater (W)	70						90					
Fitting Dimensions (Inch)												
Discharge Tube (OD)	1/2						7/8					
Suction Tube (OD)	7/8						1 1/8					
Product Dimensions(MM)												
Length (L)	239						260					
Width (W)	239						244					
Height (H)	418						508					
Feet Dimensions (Hole)	190X190(8.5)											
Oil Type	POE											
Initial Charge Volume(L)	1.4						2.7					
Recharge Volume(L)	1.25						2.6					
Max Operating Pressure(MPa)												
High Side	3.0											
Low Side	2.0											
Weight(kg)	31	33	30	30	31	32	53	53	53	54	54	

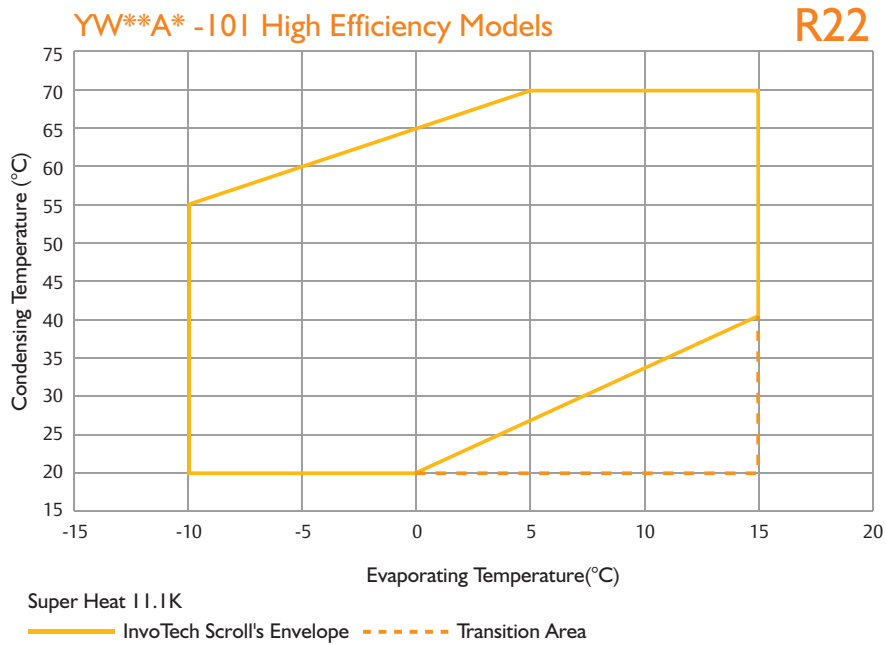
Ultra-High Temp. J Series: Ambient Temp. 35°C, E.T. 7.2°C, C.T. 54.4°C, Subcooling 8.3K, R.G.T. 18.3°C

Model	YW80A1-101	YW115A1-101	YW120A1-101	YW126A1-101	YW135A1-101	YW160A1-101
Electricity	380V/50Hz/3P					
	3 Phase					
Power in Horse Power(HP)	3	4	4.5	4.75	5	6
Refrigerant	R22					
Heating Capacity (W)	10600	15120	15700	16550	18000	21000
Power in Watt (W)	2580	3570	3710	3940	4280	4950
COP (W/W)	4.10	4.23	4.23	4.20	4.20	4.24
Running Current (A)	5.3	7.3	7.6	7.8	8.2	9.2
LRA (A)	45.0	60.0	60.0	60.0	60.0	65.0
MOC (A)	7.0	10.0	10.4	11.2	12.0	14.0
Crankcase Heater (W)	70					
Fitting Dimensions (Inch)						
Discharge Tube (OD)	1/2					
Suction Tube (OD)	7/8					
Product Dimensions(MM)						
Length (L)	239					
Width (W)	239					
Height (H)	418					
Feet Dimensions (Hole)	190X190(8.5)					
Oil Type	3GS					
Initial Charge Volume(L)	1.4					
Recharge Volume(L)	1.25					
Max Operating Pressure(MPa)						
High Side	3.0					
Low Side	2.0					
Weight(kg)	29	31	31	31	31	33.5

High Efficiency A Series: Ambient Temp. 35°C, E.T. 5°C, C.T. 55°C, Subcooling 8.3K, S.H. 11.1K







Model	C.T. (°C)	E.T.(°C)								
		-20	-15	-10	-5	0	5	10	15	
YW75AI-100	Heating Capacity (W)	70					8450	9730	11067	12543
		65				7973	8411	9843	11285	12891
		55		6233	6805	7693	8897	10185	11800	13560
		50	5491	5992	6732	7843	9095	10530	12082	13889
		45	5401	5862	6723	8019	9289	10699	12344	14208
		35	5517	6195	7077	8361	9711	11149	12905	14740
		25	4850	5517	6946	8700	10154	11573	12426	9914
	Watt (W)	70					3278	3354	3529	3667
		65				2865	2949	3016	3172	3297
		55		2232	2323	2393	2501	2598	2692	2817
		50	1946	2031	2107	2247	2344	2407	2513	2650
		45	1784	1852	1992	2117	2173	2202	2320	2463
		35	1530	1638	1746	1854	1878	1930	2067	2203
		25	1279	1397	1515	1634	1681	1727	1782	1243
YW110AI-100	Heating Capacity (W)	70					12547	14436	16410	18590
		65				11833	12480	14593	16721	19092
		55		9250	10096	11406	13184	15085	17467	20065
		50	8149	8889	9981	11623	13471	15587	17878	20544
		45	8011	8693	9965	11879	13751	15830	18258	21009
		35	8174	9177	10479	12375	14365	16486	19077	21786
		25	7184	8171	10280	12868	15012	17105	18363	14646
	Watt (W)	70					4829	4941	5198	5402
		65				4220	4345	4442	4673	4857
		55		3288	3421	3525	3684	3827	3965	4150
		50	2866	2992	3104	3310	3452	3546	3701	3904
		45	2628	2728	2935	3118	3201	3244	3417	3628
		35	2253	2413	2572	2731	2767	2843	3044	3246
		25	1884	2058	2232	2406	2476	2544	2624	1831
YW135AI-100	Heating Capacity (W)	70					15009	17283	19658	22280
		65				14163	14940	17485	20045	22898
		55		11072	12089	13664	15804	18092	20961	24087
		50	9755	10643	11957	13932	16155	18704	21462	24671
		45	9594	10414	11942	14245	16499	19004	21926	25238
		35	9799	11005	12570	14852	17250	19804	22923	26183
		25	8614	9800	12338	15454	18037	20557	22072	17611
	Watt (W)	70					5707	5839	6143	6384
		65				4987	5134	5249	5522	5740
		55		3885	4043	4166	4353	4523	4686	4904
		50	3387	3536	3668	3911	4080	4191	4374	4613
		45	3105	3224	3468	3685	3783	3833	4038	4287
		35	2663	2851	3039	3227	3270	3360	3597	3836
		25	2226	2432	2638	2844	2926	3007	3101	2164

Transition Area
Super Heat 11.1K, No Subcooling

Model	C.T. (°C)	E.T.(°C)							
		-20	-15	-10	-5	0	5	10	15
YW160AI-100	Heating Capacity (W)	70				17567	20228	23007	26076
		65			16576	17485	20464	23460	26799
		55		12959	14148	15993	18497	21174	24532
		50	11416	12457	13995	16306	18908	21891	25119
		45	11229	12188	13977	16672	19310	22242	25662
		35	11469	12879	14712	17383	20189	23178	26828
		25	10082	11470	14441	18087	21110	24060	25832
		70				6679	6834	7190	7472
		65				5837	6009	6144	6463
		55		4547	4732	4876	5095	5294	5484
		50	3964	4138	4293	4578	4775	4905	5119
		45	3634	3773	4059	4313	4427	4486	4726
		35	3116	3337	3557	3777	3827	3932	4210
		25	2605	2846	3087	3328	3425	3519	3630
YW245AI-100	Heating Capacity (W)	70				26697	30554	34861	39568
		65			23986	27316	31125	35415	40261
		55		18263	21156	24429	28083	32232	36936
		50	15846	18368	21320	24702	28513	32843	37750
		45	16017	18518	21498	25009	28974	33482	38590
		35	16155	18753	21931	25690	29956	34811	40313
		25	16460	19096	22413	26410	30965	36155	42039
		70				10458	10740	10970	11318
		65				10117	10154	10169	10164
		55		7950	7998	8025	8032	8061	8128
		50	6914	7011	7088	7144	7175	7230	7328
		45	6115	6227	6318	6387	6437	6516	6639
		35	4837	4962	5065	5148	5224	5335	5496
		25	3808	3929	4030	4110	4193	4317	4499
YW285AI-100	Heating Capacity (W)	70				30587	35020	39971	45381
		65			27473	31302	35683	40617	46188
		55		20915	24242	28006	32208	36981	42390
		50	18146	21046	24440	28330	32713	37693	43336
		45	18353	21227	24655	28691	33252	38435	44310
		35	18526	21513	25167	29489	34395	39978	46305
		25	18888	21919	25733	30329	35567	41536	48301
		70				11908	12230	12492	12888
		65				11520	11562	11580	11573
		55		9052	9107	9138	9146	9179	9255
		50	7872	7984	8071	8135	8170	8233	8344
		45	6964	7091	7194	7273	7330	7419	7560
		35	5508	5650	5768	5862	5949	6075	6258
		25	4336	4474	4589	4680	4775	4916	5123

Transition Area
Super Heat I.I.K, No Subcooling



Model	C.T. (°C)	E.T.(°C)							
		-20	-15	-10	-5	0	5	10	15
YW320AI-100	70					34581	39593	45190	51307
	65				31060	35389	40343	45921	52219
	55		23646	27407	31663	36414	41810	47926	54827
	50	20516	23794	27632	32029	36984	42615	48995	56192
	45	20749	23999	27874	32438	37594	43454	50097	57585
	35	20945	24322	28454	33340	38886	45198	52352	60413
	25	21355	24782	29093	34290	40212	46960	54608	63228
	70					13464	13827	14123	14571
	65				13024	13072	13092	13085	13391
	55		10234	10297	10332	10340	10377	10464	10822
50	8901	9026	9125	9197	9237	9308	9434	9816	
45	7873	8017	8133	8223	8287	8388	8547	8950	
35	6227	6387	6521	6627	6726	6869	7075	7509	
25	4902	5059	5188	5291	5398	5558	5792	6235	

Transition Area
Super Heat I.I.K, No Subcooling

Model	C.T. (°C)	E.T.(°C)								
		-20	-15	-10	-5	0	5	10	15	
YW75TI-100	Heating Capacity (W)	70					7997	9169	10401	11757
		65				7524	7930	9240	10565	12038
		55		5882	6411	7224	8330	9511	10988	12601
		50	5180	5643	6323	7347	8495	9806	11228	12884
		45	5082	5508	6304	7495	8655	9940	11447	13157
	Watt (W)	35	5163	5790	6602	7781	9011	10324	11933	13616
		25	4532	5151	6462	8068	9395	10690	11470	9135
		70					3234	3309	3481	3618
		65				2826	2910	2975	3129	3253
		55		2202	2291	2361	2467	2563	2656	2779
YW110TI-100	Heating Capacity (W)	50	1919	2004	2079	2217	2312	2375	2479	2615
		45	1760	1827	1966	2088	2144	2172	2288	2430
		35	1509	1616	1722	1829	1853	1904	2039	2174
		25	1261	1378	1495	1612	1658	1704	1758	1226
		70					12287	14105	16014	18117
	Watt (W)	65				11571	12198	14232	16286	18572
		55		9045	9863	11126	12841	14673	16967	19470
		50	7966	8683	9737	11324	13104	15141	17348	19917
		45	7822	8482	9713	11560	13361	15359	17698	20350
		35	7960	8931	10189	12017	13929	15969	18466	21077
YW135TI-100	Heating Capacity (W)	25	6990	7947	9981	12474	14536	16548	17760	14152
		70					4878	4991	5250	5456
		65				4262	4388	4487	4720	4906
		55		3320	3455	3561	3720	3866	4005	4192
		50	2895	3022	3135	3343	3487	3582	3738	3943
	Watt (W)	45	2654	2756	2964	3150	3233	3276	3451	3664
		35	2276	2437	2597	2758	2795	2872	3075	3278
		25	1902	2078	2254	2430	2501	2570	2651	1849
		70					14694	16884	19178	21708
		65				13846	14599	17048	19519	22269
YW135TI-100	Heating Capacity (W)	55		10824	11807	13326	15390	17594	20357	23369
		50	9534	10394	11663	13570	15713	18166	20822	23914
		45	9366	10158	11638	13859	16029	18436	21251	24443
		35	9540	10707	12220	14420	16723	19180	22186	25327
		25	8381	9530	11977	14978	17462	19885	21344	17014
	Watt (W)	70					5764	5897	6204	6448
		65				5037	5185	5302	5577	5798
		55		3924	4083	4208	4396	4568	4733	4953
		50	3421	3571	3705	3951	4120	4233	4418	4660
		45	3136	3256	3503	3722	3821	3872	4078.38	4330
35	2689	2879	3069	3259	3302	3393	3633	3874		
25	2248	2456	2664	2872	2956	3037	3132	2186		

Transition Area
Super Heat 11.1K, No Subcooling



Model	C.T. (°C)	E.T.(°C)								
		-20	-15	-10	-5	0	5	10	15	
YW160TI-100	Heating Capacity (W)	70					17199	19762	22447	25408
		65				16206	17087	19954	22846	26064
		55		12669	13820	15598	18012	20593	23826	27351
		50	11159	12166	13650	15883	18391	21261	24371	27990
		45	10963	11890	13622	16221	18760	21578	24873	28608
		35	11167	12532	14302	16877	19573	22449	25966	29644
		25	9810	11154	14018	17531	20438	23274	24981	19914
	Watt (W)	70					6746	6902	7261	7546
		65				5895	6069	6205	6527	6785
		55		4592	4779	4925	5145	5347	5539	5797
		50	4004	4180	4336	4624	4822	4954	5170	5453
		45	3670	3811	4100	4356	4472	4531	4773	5068
		35	3148	3370	3592	3815	3865	3972	4252	4534
		25	2631	2875	3118	3361	3459	3554	3666	2558
YW245TI-100	Heating Capacity (W)	70					25723	29365	33428	37873
		65				23154	26286	29868	33900	38469
		55		17644	20367	23445	26879	30782	35207	40216
		50	15310	17686	20466	23648	27232	31306	35925	41148
		45	15423	17780	20587	23891	27622	31864	36673	42108
		35	15476	17926	20919	24457	28472	33042	38224	44075
		25	15701	18186	21310	25072	29358	34245	39786	46041
	Watt (W)	70					10563	10848	11080	11432
		65				10218	10255	10271	10265	10506
		55		8029	8078	8106	8112	8141	8209	8490
		50	6983	7081	7159	7215	7246	7303	7401	7701
		45	6177	6289	6381	6451	6502	6581	6706	7022
		35	4885	5011	5116	5199	5276	5389	5551	5891
		25	3846	3969	4070	4151	4235	4360	4544	4891
YW285TI-100	Heating Capacity (W)	70					29466	33652	38322	43431
		65				26516	30117	34237	38874	44127
		55		20203	23334	26874	30824	35312	40402	46159
		50	17530	20262	23458	27118	31240	35925	41237	47240
		45	17669	20379	23607	27406	31696	36574	42105	48353
		35	17745	20561	24003	28071	32688	37944	43902	50628
		25	18015	20873	24464	28790	33720	39339	45710	52900
	Watt (W)	70					12028	12352	12617	13017
		65				11635	11677	11695	11689	11963
		55		9143	9198	9230	9237	9271	9348	9668
		50	7951	8064	8152	8216	8251	8316	8427	8769
		45	7033	7162	7266	7346	7403	7494	7636	7996
		35	5563	5706	5825	5920	6008	6136	6321	6708
		25	4379	4519	4635	4726	4823	4965	5174	5570

Transition Area
Super Heat 11.1K, No Subcooling

Model	C.T. (°C)	E.T.(°C)							
		-20	-15	-10	-5	0	5	10	15
YW320T1-100	70					33314	38047	43326	49103
	65				29978	34050	38708	43951	49890
	55		22841	26381	30384	34850	39924	45678	52187
	50	19819	22908	26522	30659	35319	40617	46621	53409
	45	19977	23041	26690	30985	35835	41350	47604	54667
	35	20062	23246	27138	31737	36957	42898	49635	57239
	25	20367	23598	27659	32550	38123	44476	51679	59808
	70					13598	13965	14264	14717
	65				13155	13202	13223	13216	13525
	55		10337	10399	10435	10443	10481	10568	10931
50	8990	9117	9216	9289	9329	9402	9528	9914	
45	7952	8097	8215	8305	8370	8472	8633	9040	
35	6289	6451	6586	6694	6793	6937	7146	7584	
25	4951	5109	5240	5344	5452	5614	5850	6297	

Transition Area
Super Heat 11.1K, No Subcooling

Model	C.T. (°C)	E.T.(°C)									
		-15	-10	-5	0	5	10	15	20	25	
YW55JI-100	Heating Capacity (W)	85			4572	4884	5214	6614	8014	8984	9920
		80			4594	5050	5520	6847	8173	9213	10230
		70	3252	3890	4638	5382	6133	7313	8492	9671	10851
		60	3355	3650	4682	5714	6746	7779	8811	10130	11440
		50	3464	4044	5052	6045	7194	7964	9506	10882	12241
		40	3570	4512	5371	6227	7631	8988	10329	11667	13005
		30	3674	4559	5445	6329	7816	9304	10791	12269	13747
	Watt (W)	85			2220	2372	2526	2680	2834	2988	3096
		80			2117	2253	2391	2529	2667	2805	2912
		70	1634	1808	1912	2017	2123	2228	2334	2440	2545
		60	1442	1634	1707	1781	1854	1927	2001	2074	2147
		50	1249	1377	1501	1543	1584	1626	1667	1813	1918
		40	1055	1193	1247	1302	1360	1418	1508	1598	1688
		30	859	926	993	1060	1135	1210	1285	1351	1416
YW80JI-100	Heating Capacity (W)	85			6655	7109	7588	9618	11648	13056	14414
		80			6685	7348	8030	9954	11877	13385	14860
		70	4734	5660	6745	7825	8914	10624	12334	14043	15753
		60	4880	5310	6806	8302	9798	11295	12791	14702	16601
		50	5036	5878	7339	8777	10442	11559	13793	15787	17758
		40	5186	6553	7797	9038	11072	13038	14981	16921	18860
		30	5334	6616	7902	9182	11337	13492	15647	17789	19931
	Watt (W)	85			3248	3470	3695	3921	4146	4372	4530
		80			3098	3297	3499	3701	3903	4104	4261
		70	2391	2645	2798	2951	3106	3260	3415	3569	3724
		60	2109	2391	2498	2605	2713	2820	2927	3035	3142
		50	1828	2014	2197	2258	2318	2379	2440	2653	2807
		40	1543	1746	1825	1905	1990	2075	2207	2338	2469
		30	1257	1355	1453	1551	1661	1771	1880	1976	2072
YW100JI-100	Heating Capacity (W)	85			8097	8651	9234	11722	14211	15935	17599
		80			8138	8948	9781	12139	14498	16346	18154
		70	5759	6890	8220	9542	10877	12974	15071	17167	19264
		60	5945	6466	8301	10137	11973	13808	15644	17989	20320
		50	6143	7172	8963	10729	12773	14144	16886	19332	21749
		40	6334	8008	9535	11058	13555	15968	18353	20732	23112
		30	6523	8096	9673	11243	13888	16534	19179	21808	24436
	Watt (W)	85			3912	4179	4451	4723	4994	5266	5456
		80			3732	3971	4214	4457	4701	4944	5132
		70	2880	3186	3370	3555	3741	3927	4113	4299	4485
		60	2541	2880	3009	3138	3267	3397	3526	3655	3784
		50	2202	2426	2646	2719	2792	2865	2938	3195	3380
		40	1859	2103	2198	2294	2397	2499	2658	2816	2974
		30	1514	1632	1750	1868	2000	2133	2264	2380	2496

Transition Area
Super Heat 11K, Subcooling 8.3K

Model	C.T. (°C)	E.T.(°C)								
		-15	-10	-5	0	5	10	15	20	25
YW120JI-100	85			9620	10277	10970	13950	16930	18992	20984
	80			9674	10639	11634	14457	17281	19493	21658
	70	6839	8190	9781	11363	12960	15472	17983	20495	23006
	60	7071	7688	9887	12087	14286	16486	18685	21497	24290
	50	7317	8547	10691	12808	15259	16902	20191	23119	26015
	40	7555	9558	11388	13213	16207	19100	21957	24809	27660
	30	7790	9675	11564	13445	16616	19788	22959	26110	29262
	85			4598	4912	5231	5550	5870	6189	6412
	80			4386	4667	4953	5239	5524	5810	6032
	70	3385	3744	3961	4178	4397	4615	4834	5053	5272
60	2986	3385	3536	3688	3840	3992	4144	4296	4448	
50	2587	2851	3110	3196	3282	3368	3454	3755	3973	
40	2185	2472	2583	2696	2817	2937	3124	3310	3496	
30	1779	1918	2057	2196	2351	2506	2661	2797	2933	
YW140JI-100	85					13970	16071	18397	20982	23858
	80			10612	12350	14273	16413	18803	21475	24461
	75	7856	9287	10862	12614	14575	16776	19251	22031	25148
	70	8076	9495	11082	12869	14889	17172	19752	22661	25930
	65	8237	9666	11286	13129	15227	17614	20320	23377	26819
	60	8352	9811	11484	13404	15603	18113	20966	24194	27829
	55	8434	9943	11691	13708	16028	18682	21703	25122	28972
	50	8494	10075	11918	14054	16515	19334	22543	26174	30260
	45	8546	10219	12177	14453	17077	20082	23500	27364	31705
	40	8601	10388	12482	14917	17725	20937	24585	28702	
	35	8672	10593	12845	15461	18473	21912	25811		
	30	8772	10848	13278	16096	19332	23020			
	85					6765	6916	7108	7370	7727
	80			5803	5966	6122	6298	6519	6813	7205
	75	4728	4992	5198	5375	5547	5743	5987	6307	6729
70	4192	4456	4667	4851	5034	5243	5505	5846	6293	
65	3733	3993	4202	4388	4576	4794	5068	5425	5890	
60	3347	3596	3798	3980	4169	4390	4670	5036	5515	
55	3026	3259	3449	3622	3804	4023	4304	4675	5161	
50	2765	2977	3149	3307	3478	3689	3965	4335	4823	
45	2559	2743	2891	3029	3184	3381	3647	4009	4494	
40	2400	2552	2671	2783	2915	3093	3343	3693		
35	2283	2397	2481	2562	2666	2819	3048			
30	2202	2272	2316	2360	2430	2553				

Transition Area
Super Heat 11K, Subcooling 8.3K



Model	C.T. (°C)	E.T.(°C)									
		-15	-10	-5	0	5	10	15	20	25	
YW155JI-100	85					14874	17110	19587	22339	25401	
	80			11941	13809	15196	17475	20020	22864	26044	
	75	8364	9887	11565	13430	15517	17861	20496	23456	26774	
	70	8598	10109	11799	13702	15852	18283	21030	24126	27607	
	65	8770	10291	12016	13978	16212	18753	21634	24889	28554	
	60	8893	10446	12227	14271	16612	19284	22322	25758	29629	
	55	8979	10587	12447	14595	17065	19890	23106	26747	30846	
	50	9044	10727	12689	14963	17583	20585	24001	27867	32217	
	45	9098	10880	12965	15387	18181	21380	25020	29134	33756	
	40	9157	11059	13290	15882	18871	22291	26175	30559		
	35	9233	11278	13676	16461	19667	23329	27481			
	30	9339	11549	14137	17137	20582	24509				
	YW180JI-100	85					7203	7363	7568	7847	8227
		80			6821	7013	6518	6705	6941	7254	7671
		75	5034	5314	5535	5722	5906	6114	6374	6715	7165
		70	4463	4744	4969	5164	5360	5582	5861	6224	6700
65		3975	4251	4474	4672	4872	5104	5396	5776	6271	
60		3563	3828	4044	4238	4438	4674	4972	5362	5871	
55		3222	3470	3672	3856	4051	4283	4583	4977	5495	
50		2944	3170	3352	3521	3703	3927	4222	4615	5135	
45		2724	2921	3078	3225	3390	3599	3883	4269	4785	
40		2555	2717	2844	2963	3103	3293	3560	3932		
35		2431	2552	2642	2728	2838	3001	3246			
30		2344	2419	2466	2513	2587	2719				
YW180JI-100		85					17585	20228	23157	26410	30030
		80			14071	16278	17965	20660	23668	27031	30790
		75	9888	11689	13672	15877	18345	21116	24231	27730	31654
		70	10165	11952	13949	16199	18741	21615	24862	28523	32638
	65	10368	12166	14205	16525	19167	22170	25576	29425	33758	
	60	10513	12349	14455	16872	19640	22799	26389	30453	35029	
	55	10616	12516	14715	17255	20175	23515	27317	31621	36467	
	50	10692	12682	15001	17689	20788	24336	28375	32946	38088	
	45	10756	12863	15328	18191	21494	25277	29580	34443	39907	
	40	10826	13075	15712	18777	22310	26353	30945	36128		
	35	10915	13333	16168	19461	23252	27581	32489			
	30	11041	13654	16713	20260	24333	28975				
	YW180JI-100	85					8516	8705	8947	9277	9726
		80			8017	8243	7706	7927	8206	8575	9069
		75	5951	6283	6543	6765	6982	7228	7536	7939	8470
		70	5276	5609	5874	6105	6336	6600	6930	7359	7921
65		4699	5026	5289	5523	5760	6035	6380	6828	7414	
60		4212	4526	4781	5010	5247	5525	5878	6339	6941	
55		3809	4102	4341	4559	4789	5064	5418	5884	6496	
50		3481	3747	3963	4163	4378	4643	4991	5456	6070	
45		3221	3453	3639	3813	4007	4255	4591	5047	5657	
40		3021	3212	3362	3503	3669	3893	4208	4649		
35		2874	3017	3123	3225	3355	3548	3837			
30		2772	2860	2915	2971	3059	3214				

Super Heat 11K, Subcooling 8.3K

Model	C.T. (°C)	E.T.(°C)									
		-15	-10	-5	0	5	10	15	20	25	
YW200JI-100	85					20226	23267	26635	30377	34540	
	80			16387	18931	20664	23763	27223	31091	35414	
	75	11373	13445	15726	18262	21101	24288	27871	31895	36408	
	70	11692	13747	16045	18632	21555	24861	28596	32807	37540	
	65	11926	13994	16339	19007	22046	25500	29418	33845	38828	
	60	12092	14204	16627	19406	22589	26223	30353	35027	40290	
	55	12210	14396	16926	19846	23205	27047	31420	36370	41944	
	50	12298	14587	17254	20346	23910	27991	32637	37894	43809	
	45	12372	14795	17630	20924	24723	29073	34022	39616	45901	
	40	12452	15039	18072	21597	25661	30311	35593	41554		
	35	12555	15336	18597	22384	26744	31723	37369			
	30	12699	15705	19224	23303	27988	33327				
	Watt (W)	85					9795	10012	10291	10670	11187
		80			9424	9689	8864	9118	9438	9863	10432
75		6845	7227	7526	7781	8031	8314	8668	9131	9742	
70		6069	6451	6756	7022	7288	7591	7970	8464	9111	
65		5405	5780	6083	6352	6625	6941	7338	7854	8527	
60		4845	5206	5499	5762	6035	6355	6761	7291	7984	
55		4381	4719	4993	5244	5508	5825	6232	6768	7472	
50		4004	4310	4559	4788	5036	5341	5741	6275	6982	
45		3704	3972	4186	4386	4609	4894	5280	5805	6506	
40		3474	3695	3867	4029	4220	4478	4841	5347		
35		3305	3470	3592	3709	3859	4081	4413			
30		3188	3290	3353	3417	3518	3697				
YW240JI-100		85					22867	26305	30113	34344	39051
		80			18527	21403	23362	26866	30778	35151	40039
	75	12858	15200	17779	20647	23856	27460	31510	36060	41163	
	70	13219	15542	18140	21065	24370	28108	32331	37091	42442	
	65	13483	15821	18472	21489	24924	28830	33259	38265	43899	
	60	13671	16059	18798	21940	25539	29647	34317	39601	45551	
	55	13805	16276	19136	22438	26235	30579	35523	41120	47422	
	50	13903	16491	19507	23003	27032	31647	36899	42843	49529	
	45	13988	16727	19932	23656	27951	32870	38465	44789	51895	
	40	14078	17003	20431	24417	29012	34270	40241	46980		
	35	14194	17339	21025	25307	30236	35866	42248			
	30	14358	17755	21734	26345	31643	37679				
	Watt (W)	85					11074	11319	11635	12063	12648
		80			10655	10955	10021	10309	10671	11151	11794
75		7739	8170	8509	8797	9080	9399	9800	10323	11015	
70		6861	7294	7639	7939	8240	8582	9011	9569	10300	
65		6111	6535	6878	7182	7491	7848	8296	8879	9641	
60		5478	5886	6217	6515	6823	7185	7644	8243	9026	
55		4953	5335	5645	5928	6227	6585	7046	7652	8447	
50		4526	4873	5154	5413	5693	6038	6491	7095	7894	
45		4188	4490	4733	4958	5211	5534	5970	6563	7356	
40		3928	4177	4372	4555	4771	5062	5473	6045		
35		3737	3923	4061	4193	4363	4614	4990			
30		3604	3719	3791	3863	3978	4179				

Super Heat 11K, Subcooling 8.3K



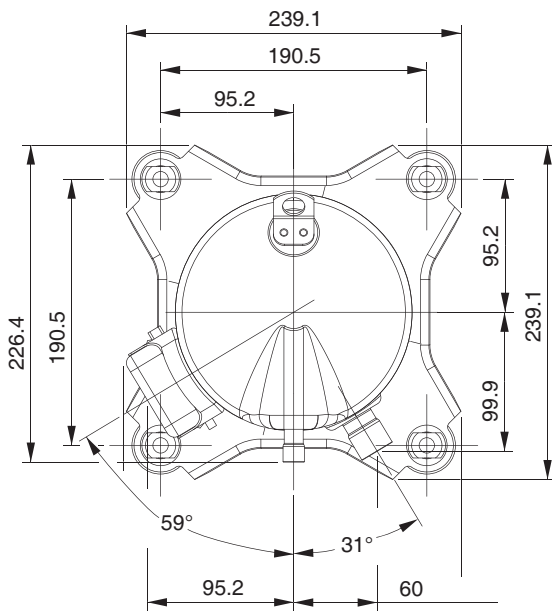
Model	C.T. (°C)	E.T.(°C)						
		-10	-5	0	5	10	15	
YW80AI-10I	Heating Capacity (W)	70				10055	11452	12993
		65			9142	10560	12102	13854
		55	7559	8413	9646	10756	12711	14631
		50	7467	8571	9850	11314	13037	15007
		45	7451	8756	10048	11501	13341	15375
		35	7825	9116	10486	11992	13979	15982
		25	7670	9474	10950	12454	13479	10771
	Watt (W)	70				3475	3479	3615
		65			3057	3123	3127	3250
		55	2610	2629	2747	2616	2654	2777
		50	2368	2468	2574	2496	2477	2612
		45	2239	2325	2387	2283	2287	2428
		35	1962	2036	2063	2001	2037	2172
		25	1703	1794	1847	1791	1756	1225
YW115AI-10I	Heating Capacity (W)	70				14276	16285	18495
		65			12986	15022	17238	19752
		55	10733	11961	13727	15101	18140	20895
		50	10613	12196	14029	16139	18618	21445
		45	10598	12470	14325	16419	19066	21983
		35	11149	13003	14971	17141	19997	22870
		25	10940	13530	15651	17817	19293	15426
	Watt (W)	70				4813	4818	5007
		65			4235	4326	4331	4502
		55	3615	3641	3805	3580	3676	3847
		50	3280	3419	3566	3457	3431	3619
		45	3101	3221	3306	3162	3167	3363
		35	2718	2821	2858	2771	2822	3008
		25	2359	2485	2558	2480	2433	1697
YW120AI-10I	Heating Capacity (W)	70				14874	16962	19259
		65			13529	15645	17948	20561
		55	11182	12458	14295	15660	18879	21744
		50	11055	12701	14607	16799	19374	22313
		45	11038	12984	14912	17087	19837	22870
		35	11608	13534	15580	17834	20802	23788
		25	11387	14080	16284	18534	20067	16042
	Watt (W)	70				5041	5047	5245
		65			4436	4532	4537	4716
		55	3787	3814	3985	3715	3850	4029
		50	3436	3581	3735	3621	3593	3790
		45	3249	3374	3463	3312	3317	3522
		35	2846	2954	2993	2903	2956	3151
		25	2471	2603	2679	2598	2548	1778

Transition Area
Super Heat 11K, Subcooling 8.3K

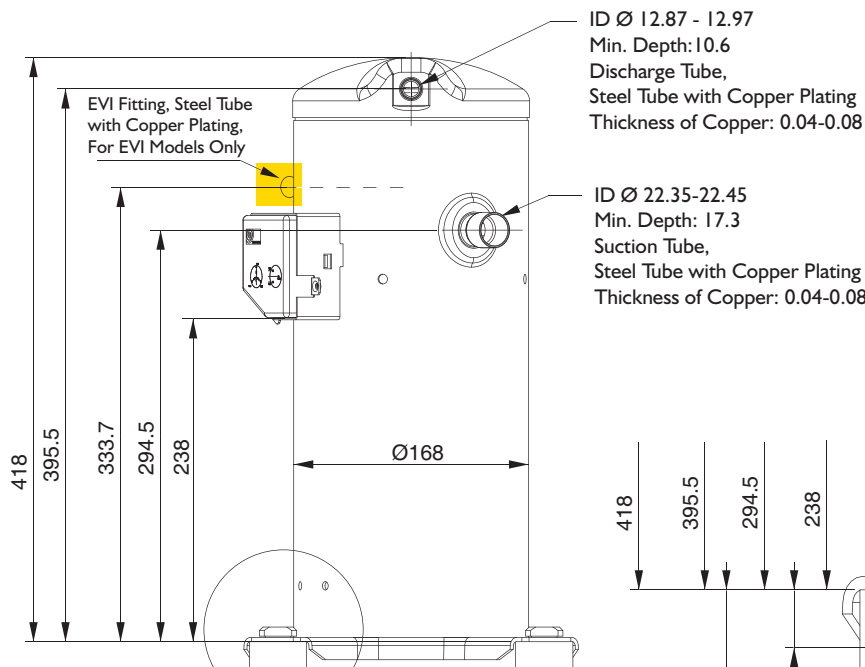
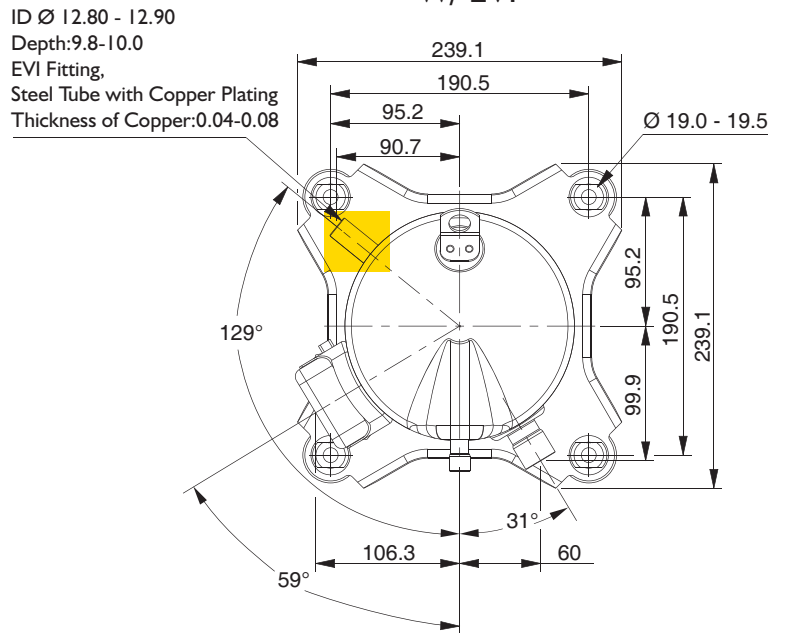
Model	C.T. (°C)	E.T.(°C)					
		-10	-5	0	5	10	15
YWI26AI-100	Heating Capacity (W)	70			15657	17855	20273
		65		14241	16469	18893	21643
		55	11771	13114	15047	16580	19873
		50	11637	13369	15376	17683	20394
		45	11619	13667	15697	17986	20881
		35	12219	14247	16400	18773	21897
		25	11987	14821	17141	19509	21123
		70			5306	5312	5521
		65		4669	4770	4775	4964
		55	3986	4015	4195	3955	4053
YWI35AI-101	Heating Capacity (W)	70			16775	19130	21721
		65		15258	17645	20242	23189
		55	12612	14051	16122	18000	21292
		50	12468	14324	16474	18946	21851
		45	12448	14643	16818	19271	22372
		35	13091	15264	17572	20114	23461
		25	12843	15879	18365	20903	22632
		70			5685	5692	5915
		65		5003	5111	5117	5319
		55	4271	4301	4494	4280	4342
YWI60AI-101	Heating Capacity (W)	70			19375	22095	25088
		65		17623	20380	23380	26783
		55	14566	16229	18621	20960	24593
		50	14401	16544	19028	21883	25237
		45	14378	16913	19425	22258	25840
		35	15120	17630	20295	23231	27097
		25	14834	18341	21211	24143	26139
		70			6567	6574	6832
		65		5778	5903	5910	6143
		55	4933	4968	5191	4943	5015
YWI150AI-101	Heating Capacity (W)	70			23231	27097	30988
		65		21211	24143	26139	28977
		55	18621	20960	23231	25840	29791
		50	19028	21883	24143	27097	30988
		45	19425	22258	24143	27097	30988
		35	20295	23231	26139	29791	34143
		25	21211	24143	26139	29791	34143
		70			6567	6574	6832
		65		5778	5903	5910	6143
		55	4933	4968	5191	4943	5015

Transition Area
Super Heat 11K, Subcooling 8.3K

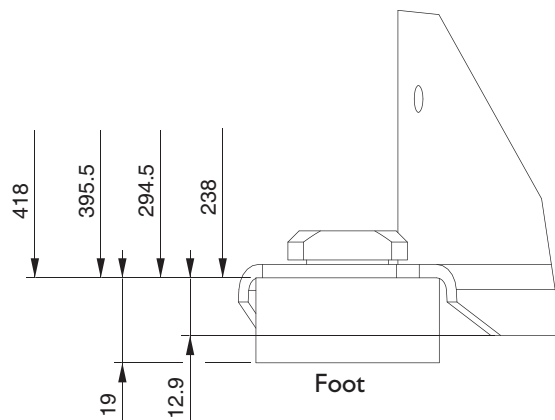
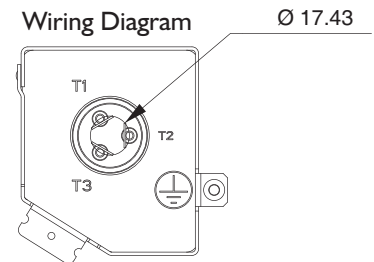
W/O EVI



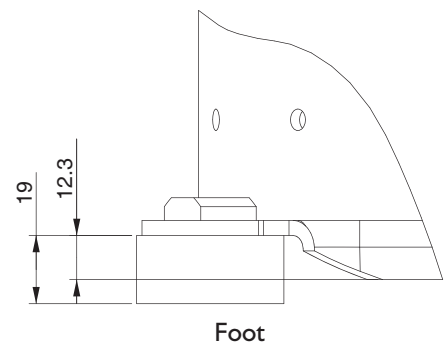
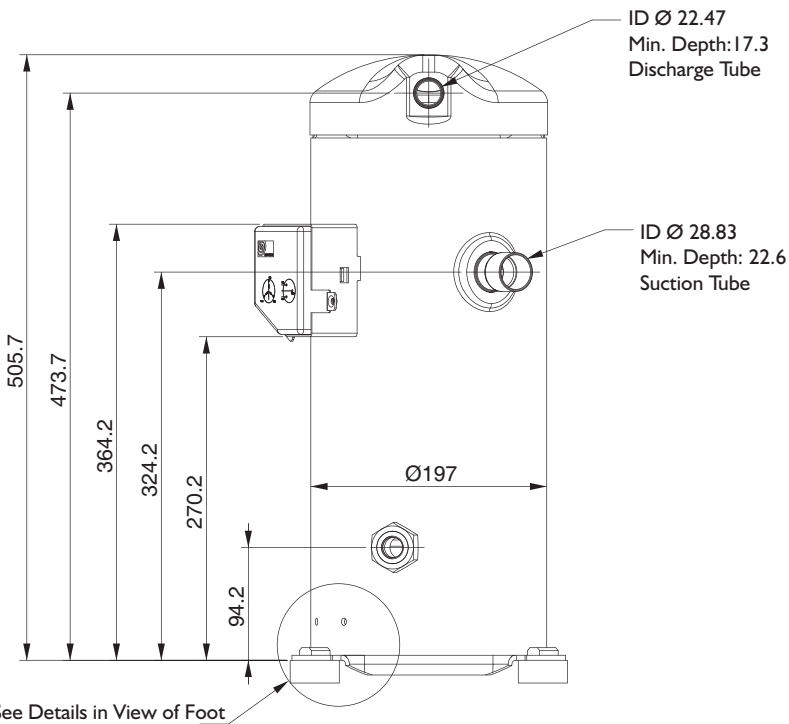
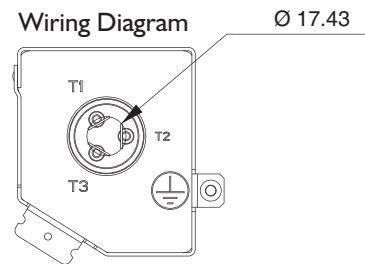
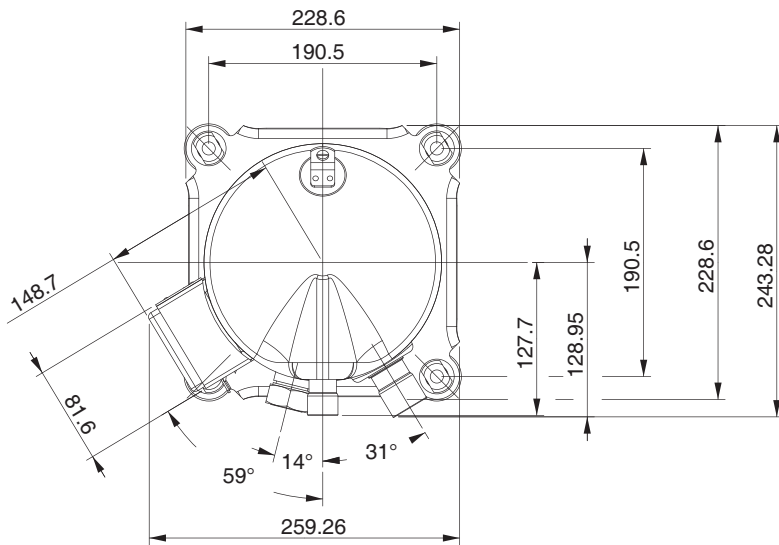
W/ EVI



Wiring Diagram



See Details in View of Foot





Invotech Scroll Technologies

No. 68, Dongnan Road, Changshu, Jiangsu, PRC.

TEL: +86 512 5290 5990

FAX: +86 512 5290 5996

www.invotech.cn