



InvoTech

YM/YF series Scroll Compressors

**Special Design For
Mid Temp. and Lower Temp.
Application**

*It is the outstanding engineering capability
that builds the incomparable reliability*



Invotech Scroll Technologies Co., Ltd.

is a high-tech company.

We design and manufacture 3-15 HP scroll Compressors for refrigerated warehouse, cold room, freezer, A/C & chiller, heat pump etc.

Our company is founded by a group of engineers who formerly worked for the world's largest manufacturer of scroll compressors. We are a team of passionate and highly qualified professionals with more than 15 years of experience in this industry. In addition, we have received investments from several leading venture capital firms in series A funding rounds.

We are dedicated to providing our clients with world-class products and high standard of services.

For more information, please go to our website:

www.invotech.cn



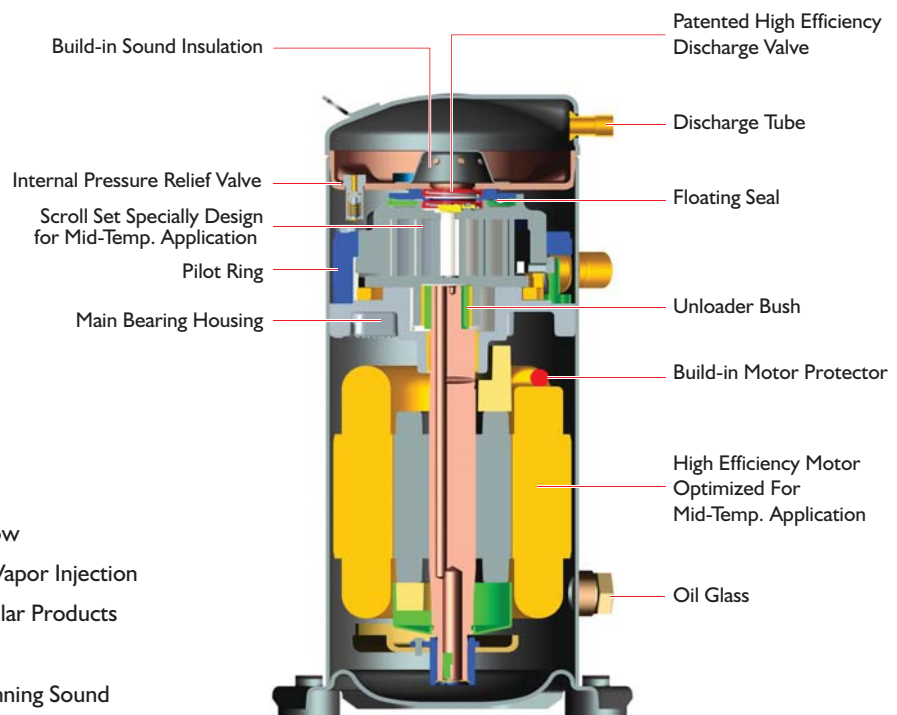
<i>Product Features</i>		1
<hr/>		
<i>Models</i>		3
<hr/>		
<i>Nomenclature</i>		4
<hr/>		
<i>Technical Specifications</i>		
YM	R22	5
	R404A	7
<hr/>		
YF	R22	9
	R404A	10
<hr/>		
<i>Operating Envelope</i>		11
<hr/>		
<i>Capacity</i>		
YM	R22	13
	R404A	16
<hr/>		
YF	R22	19
	R404A	20
<hr/>		
<i>Dimensions</i>		21

*It is the outstanding engineering capability
that builds the incomparable reliability*

YM Series

Scroll Compressors With Dual-Compliance For Mid-Temp. Application

- Specific Design for Refs. Application, Not Only the Scroll Set But Also the Unit, Precise Product-Definition Based on Customer's Need
- Both Build-in Radius and Axial Compliances Design, Improved Floating Seal Design for Better Energy Efficiency
- Excellent Discharge Temperature Management to Stretch Operation Envelope
- Accurate Calculation of Load and Sealing Force for Running Sound Optimization
- High Efficiency Motor Design



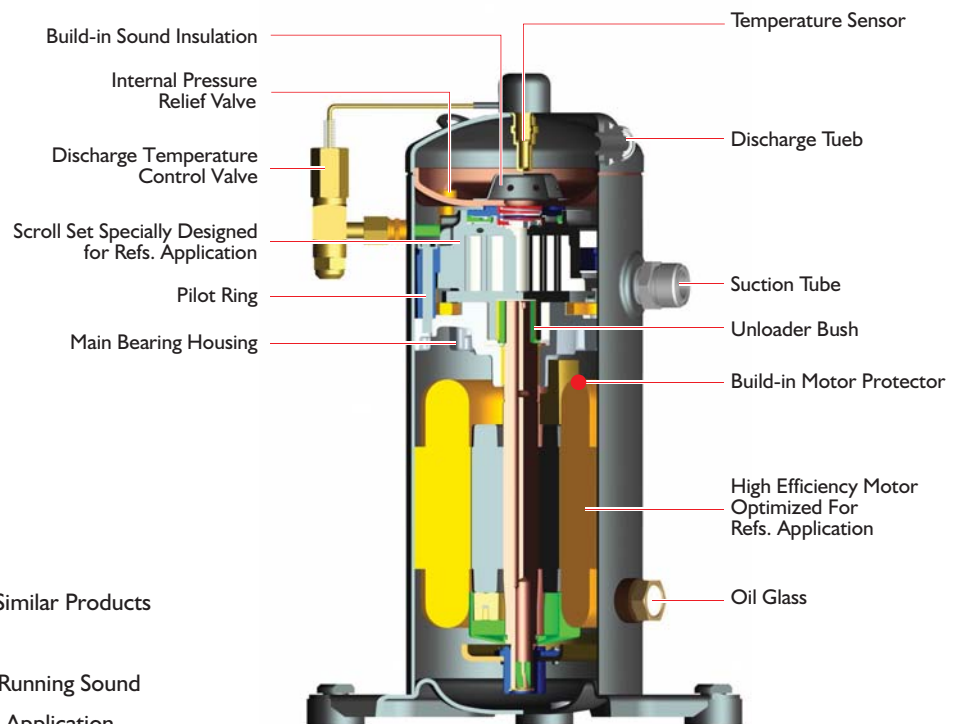
Features

- Be Capable of Running Perfectly at as low as -15°C Evap. Temp. Without Liquid / Vapor Injection
- 15% Better in terms of COP Than Similar Products in The Market
- Build-in Sound Insulation to Reduce Running Sound
- Scroll Design of Higher Build-in Compression Ratio For Refs. Application
- Optimized Floating Seal Design for Better COP
- Multiple Internal Protections
 - High Pressure Protection
 - Overload Protection

YF Series

Scroll Compressors With Dual-Compliance For Low. Temp. Application

- Specific Design for Refs. Application, Not Only the Scroll Set But Also the Unit, Precise Product-Definition Based on Customer's Need
- Both Build-in Radius and Axial Compliances Design, Improved Floating Seal Design for Better Energy Efficiency
- Excellent Discharge Temperature Management to Stretch Operation Envelope
- Accurate Calculation of Load and Sealing Force for Running Sound Optimization
- High Efficiency Motor Design

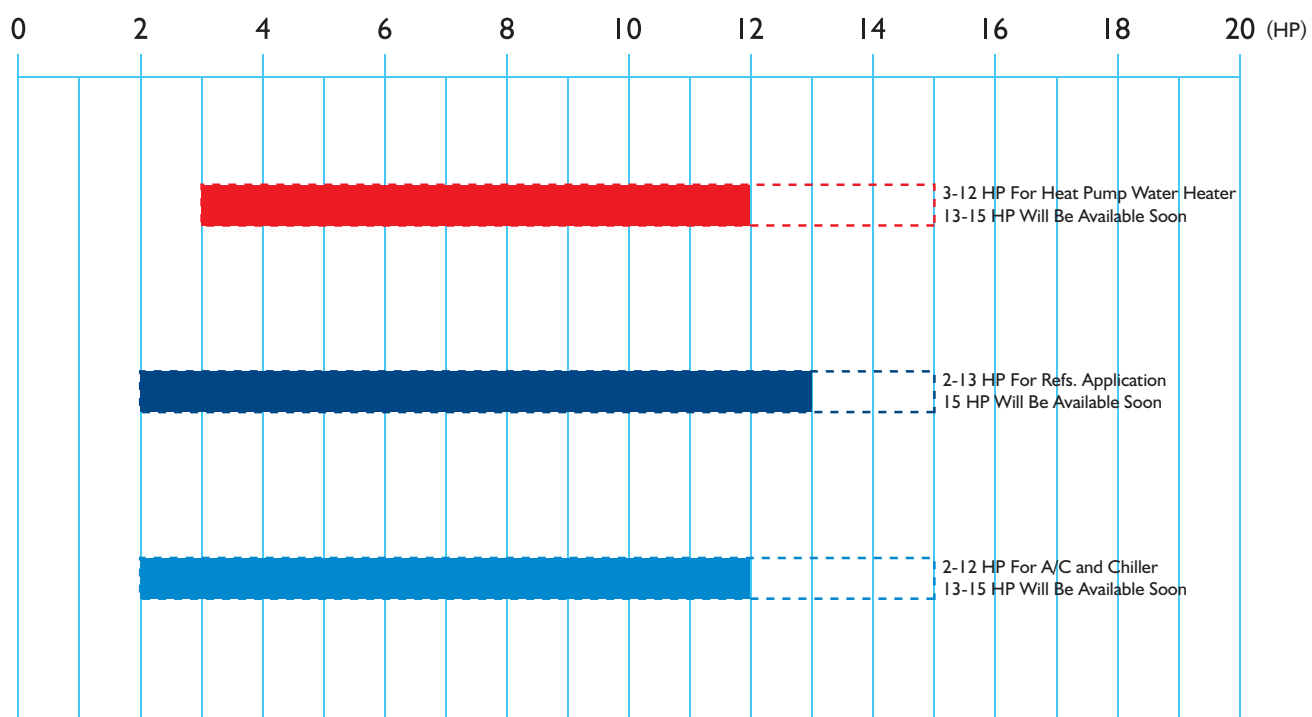


Features

- Be Capable of Running Perfectly at as low as -40°C Evap. Temp.
- 20% Better in Terms of COP Than Similar Products in The Market
- Build-in Sound Insulation to Reduce Running Sound
- Truly Specific Scroll Design For Refs. Application
- Optimized Floating Seal Design for Better COP
- Multiple Internal Protections
 - High Pressure Protection
 - Overload Protection

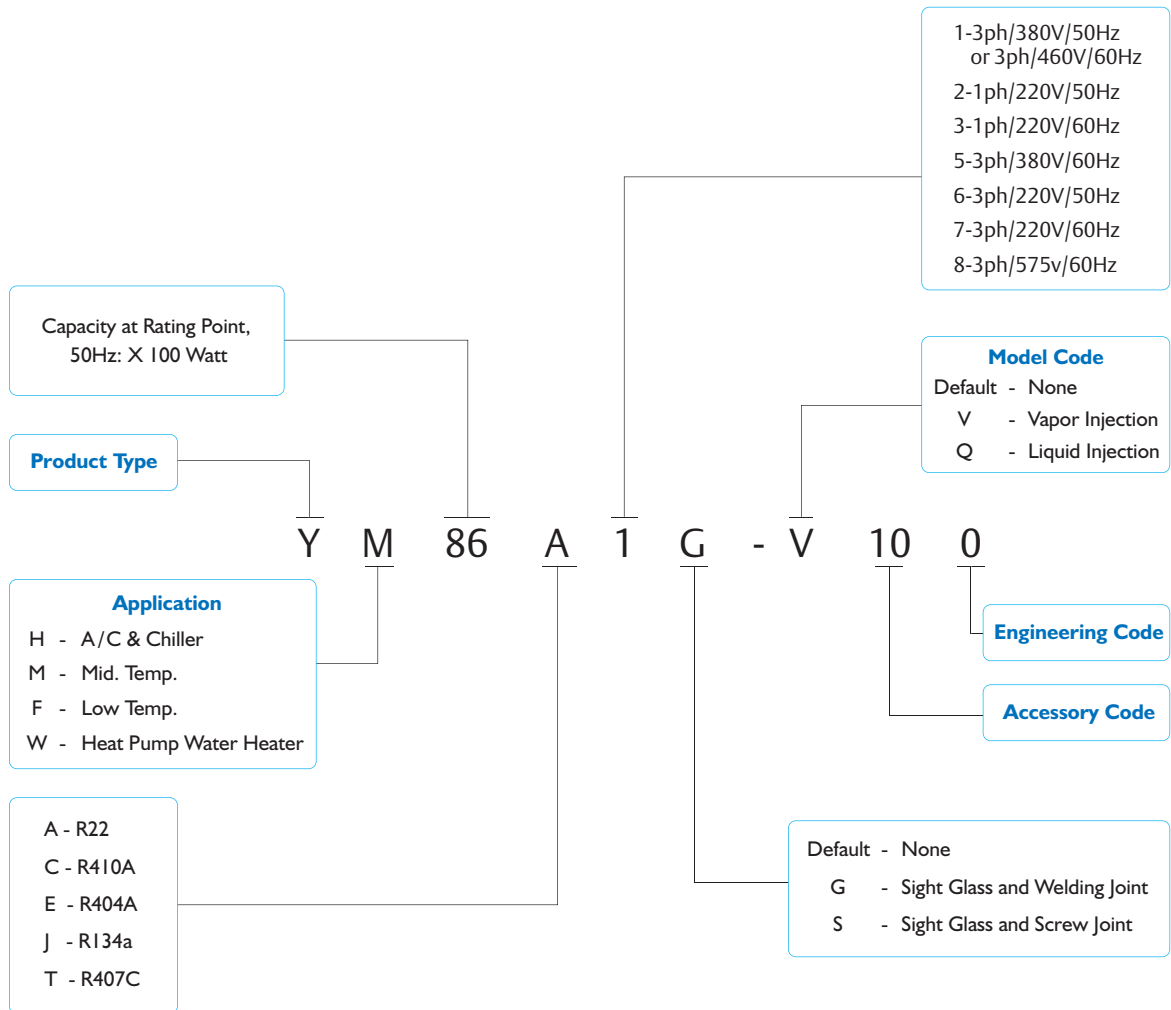
YM/YF Series

Models



YM/YF Series

Nomenclature



Model	YM34A 2G-100	YM43A 2G-100	YM49A 2G-100	YM70A 2G-100	YM34A 1G-100	YM43A 1G-100	YM49A 1G-100	YM70A 1G-100	YM86A 1G-100	YM102A 1G-100
Electricity	220V/50Hz/1P				380V/50Hz/3P					
Power in Horse Power (HP)	2	2.5	3	4	2	2.5	3	4	5	6
Displacement (M ³ /H)	5.8	7.3	8.1	11.8	5.8	7.3	8.1	11.8	14.5	17.1
Refrigerant	R22									
Capacity (W)	3600	4300	4900	7000	3400	4300	4900	7000	8600	10200
Power in Watt (W)	1860	2130	2300	3180	1620	2030	2250	3120	3750	4430
Running Current (A)	8.6	10.1	10.6	15.1	4.0	4.7	4.9	6.1	7.6	8.5
COP (W/W)	1.98	2.02	2.13	2.21	2.10	2.12	2.18	2.25	2.29	2.30
LRA (A)	76	76	85	109	22	45	45	60	60	65
MOC (A)	15.2	16.2	18	26.5	4.9	6.1	8.3	9.7	11.5	13.5
Crankcase Heater (W)	70									
Fitting Dimensions (Inch)										
Discharge Tube (OD)	1/2									
Suction Tube (OD)	7/8									
Product Dimensions(MM)										
Length (L)	239									
Width (W)	239									
Height (H)	418									
Feet Dimensions (Hole)	190X190(8.5)									
Oil Type	3GS									
Initial Charge Volume(L)	1.4									
Recharge Volume(L)	1.25									
Max Operating Pressure(MPa)										
High Side	3.0									
Low Side	2.0									
Weight(kg)	31	31	31	33	29	29	30	31	31	33

E.T. -6.7°C, C.T. 48.9°C, R.G. 4.4°C, No Subcooling

Model	YM125A1G-00	YM132A1G-100	YM158A1G-100	YM182A1G-100	YM200A1G-100	YM210A1G-100
Electricity	380V/50Hz/3P					
Power in Horse Power (HP)	7	8	9	10	12	13
Displacement (M ³ /H)	20.1	21.4	25.3	29.1	32.9	34.3
Refrigerant	R22					
Capacity (W)	12500	13200	15800	18200	20000	21000
Power in Watt (W)	5430	5690	6810	7745	8510	8860
Running Current (A)	11.0	11.2	12.7	13.8	15.2	15.7
COP (W/W)	2.30	2.32	2.32	2.35	2.35	2.37
LRA (A)	117	117	117	121	121	121
MOC (A)	16.3	17.4	19.8	22.3	25.0	26.0
Crankcase Heater (W)	90					
Fitting Dimensions (Inch)						
Discharge Tube (OD)	7/8					
Suction Tube (OD)	1 1/8					
Product Dimensions(MM)						
Length (L)	260					
Width (W)	244					
Height (H)	508					
Feet Dimensions (Hole)	190 X 190 (8.5)					
Oil Type	3GS					
Initial Charge Volume(L)	2.7					
Recharge Volume(L)	2.6					
Max Operating Pressure(MPa)						
High Side	3.0					
Low Side	2.0					
Weight(kg)	53	53	53	54	54	54

E.T. -6.7°C, C.T. 48.9°C, R.G. 4.4°C, No Subcooling

Model	YM34E 2G-100	YM43E 2G-100	YM49E 2G-100	YM70E 2G-100	YM34E 1G-100	YM43E 1G-100	YM49E 1G-100	YM70E 1G-100	YM86E 1G-100	YM102E 1G-100
Electricity	220V/50Hz/1P				380V/50Hz/3P					
Power in Horse Power (HP)	2	2.5	3	4	2	2.5	3	4	5	6
Displacement (M ³ /H)	5.8	7.3	8.1	11.8	5.8	7.3	8.1	11.8	14.5	17.1
Refrigerant	R404A									
Capacity (W)	3670	4380	5000	7140	3470	4380	5000	7140	8750	10380
Power in Watt (W)	2060	2380	2500	3570	1820	2280	2450	3500	4230	4940
Running Current (A)	9.8	11.3	11.7	16.6	4.4	4.8	5.1	6.6	8.0	9.4
COP (W/W)	1.78	1.84	2.00	2.00	1.90	1.92	2.04	2.04	2.07	2.10
LRA (A)	76	76	85	109	22	45	45	60	60	65
MOC (A)	16.2	17.2	19	28.1	5.2	6.6	9.0	10.0	12.8	14.5
Crankcase Heater (W)	70									
Fitting Dimensions (Inch)										
Discharge Tube (OD)	1/2									
Suction Tube (OD)	7/8									
Product Dimensions(MM)										
Length (L)	239									
Width (W)	239									
Height (H)	418									
Feet Dimensions (Hole)	190X190(8.5)									
Oil Type	POE									
Initial Charge Volume(L)	1.4									
Recharge Volume(L)	1.25									
Max Operating Pressure(MPa)										
High Side	3.0									
Low Side	2.0									
Weight(kg)	31	31	31	33	29	29	30	31	31	31

E.T. -6.7°C, C.T. 48.9°C, R.G. 4.4°C, No Subcooling

Model	YM125E1G-100	YM132E1G-100	YM158E1G-100	YM182E1G-100	YM200E1G-100	YM210E1G-100
Electricity	380V/50Hz/3P					
Power in Horse Power (HP)	7	8	9	10	12	13
Displacement (M ³ /H)	20.1	21.4	25.3	29.1	32.9	34.3
Refrigerant	R404A					
Capacity (W)	12750	13430	16100	18600	20350	21400
Power in Watt (W)	6070	6330	7590	8691	9510	9950
Running Current (A)	11.8	12.1	13.6	15.5	17.0	17.4
COP (W/W)	2.10	2.12	2.12	2.14	2.14	2.15
LRA (A)	117	117	117	121	121	121
MOC (A)	17.3	18.4	21.0	23.6	26.5	27.6
Crankcase Heater (W)	90					
Fitting Dimensions (Inch)						
Discharge Tube (OD)	7/8					
Suction Tube (OD)	1 1/8					
Product Dimensions(MM)						
Length (L)	260					
Width (W)	244					
Height (H)	508					
Feet Dimensions (Hole)	190 X 190(8.5)					
Oil Type	POE					
Initial Charge Volume(L)	2.7					
Recharge Volume(L)	2.6					
Max Operating Pressure(MPa)						
High Side	3.0					
Low Side	2.0					
Weight(kg)	53	53	53	54	54	54

E.T. -6.7°C, C.T. 48.9°C, R.G. 4.4°C, No Subcooling

YF Series

Specifications

R22

Model	YF13A2G -Q100	YF17A2G -Q100	YF20A2G -Q100	YF29A2G -Q100	YF13A1G -Q100	YF17A1G -Q100	YF20A1G -Q100	YF29A1G -Q100	YF35A1G -Q100	YF41A1G -Q100
Electricity	220V/50Hz/1P				380V/50Hz/3P					
Power in Horse Power (HP)	2	2.5	3	4	2	2.5	3	4	5	6
Displacement (M ³ /H)	5.8	7.3	8.1	11.8	5.8	7.3	8.1	11.8	14.5	17.1
Refrigerant	R22									
Capacity (W)	1300	1660	1950	2950	1300	1660	1950	2900	3500	4100
Power in Watt (W)	1180	1500	1740	2410	1160	1470	1710	2200	2550	2930
Running Current (A)	5.6	7.1	8.1	11.4	2.3	2.7	4.3	4.8	5.9	6.4
COP (W/W)	1.10	1.11	1.12	1.22	1.12	1.13	1.14	1.32	1.37	1.40
LRA (A)	76	76	85	109	22	22	45	60	60	65
MOC (A)	12.6	13.4	15.3	22	3.6	4.8	5.5	8.4	9.8	11.5
Crankcase Heater (W)	70									
Fitting Dimensions (Inch)										
Discharge Tube (OD)	1/2									
Suction Tube (OD)	7/8									
Product Dimensions(MM)										
Length (L)	239									
Width (W)	239									
Height (H)	418									
Feet Dimensions (Hole)	190X190(8.5)									
Oil Type	3GS									
Initial Charge Volume(L)	1.4									
Recharge Volume(L)	1.25									
Max Operating Pressure(MPa)										
High Side	3.0									
Low Side	2.0									
Weight(kg)	31	31	31	33	30	30	30	32	32	33

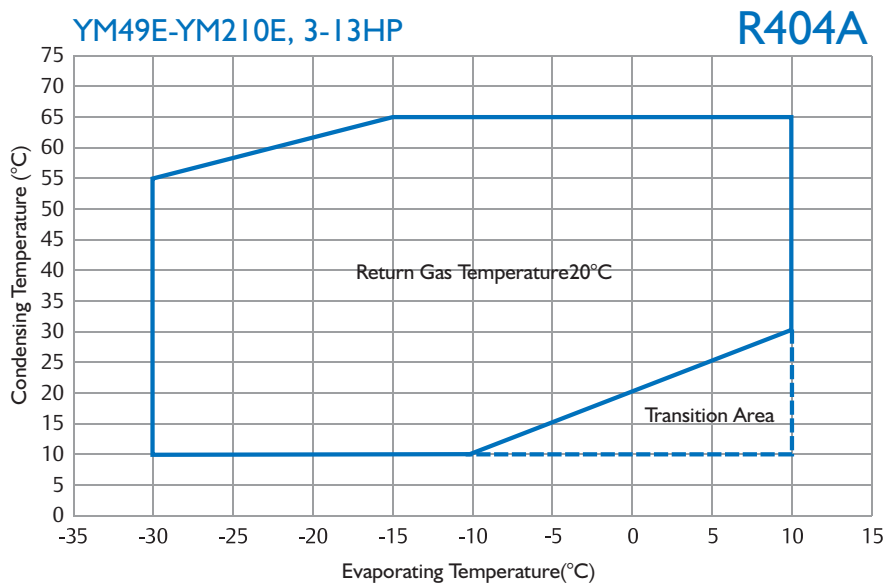
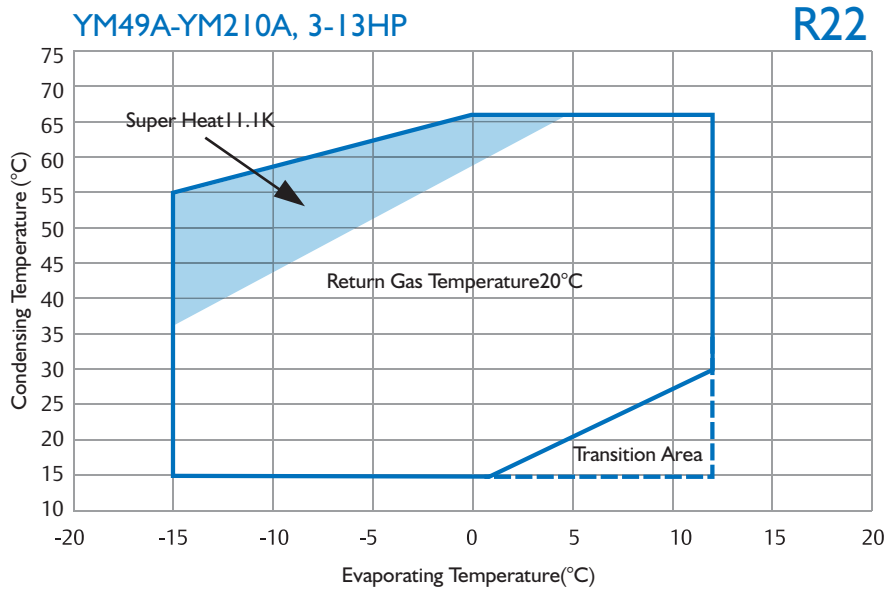
E.T. -31.6°C, C.T. 40.6°C, R.G. 4.4°C, No Subcooling

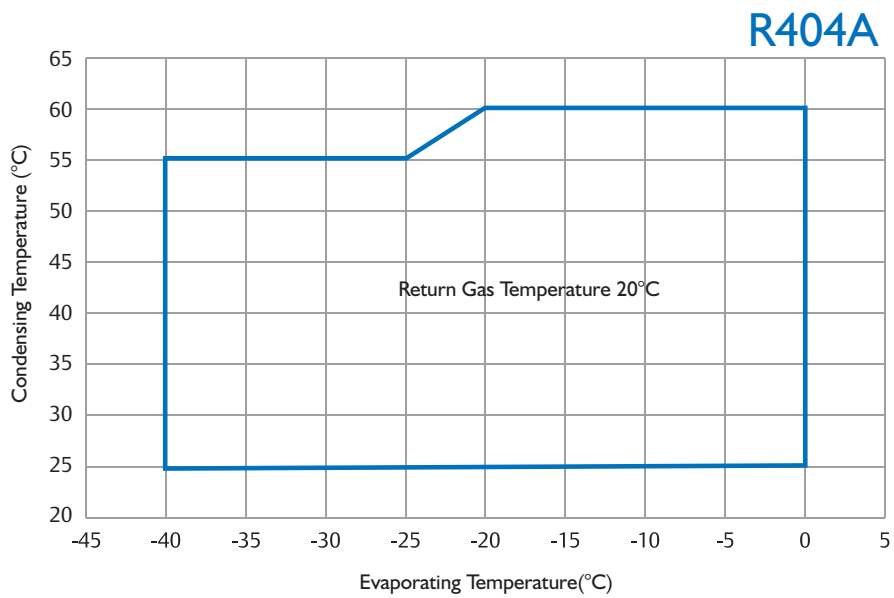
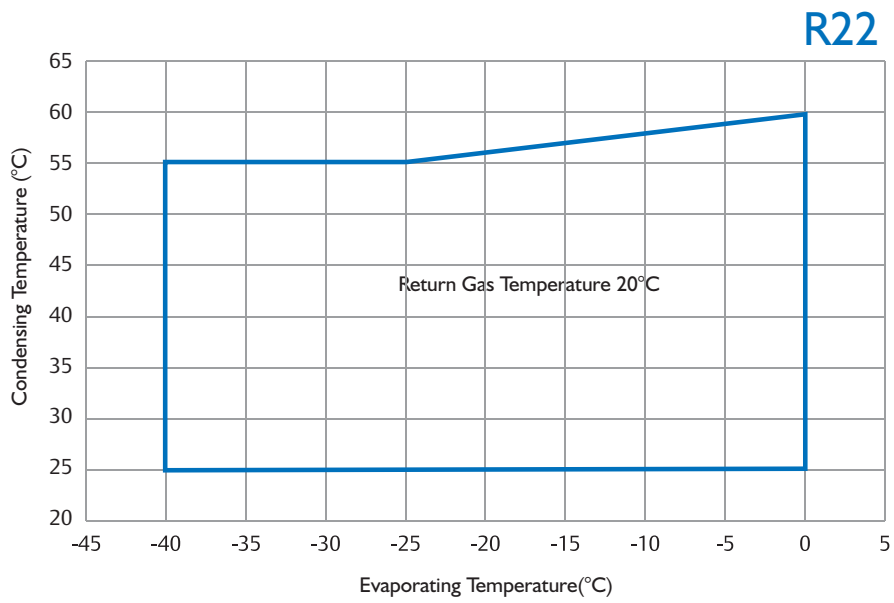
Model	YF13E2G -Q100	YF17E2G -Q100	YF20E2G -Q100	YF29E2G -Q100	YF13E1G -Q100	YF17E1G -Q100	YF20E1G -Q100	YF29E1G -Q100	YF35E1G -Q100	YF41E1G -Q100
Electricity	220V/50Hz/1P				380V/50Hz/3P					
Power in Horse Power (HP)	2	2.5	3	4	2	2.5	3	4	5	6
Displacement (M ³ /H)	5.8	7.3	8.1	11.8	5.8	7.3	8.1	11.8	14.5	17.1
Refrigerant	R404A									
Capacity (W)	1540	1970	2320	3510	1540	1970	2330	3420	3700	4300
Power in Watt (W)	1300	1650	1920	2650	1280	1620	1880	2440	2800	3160
Running Current (A)	6.2	7.8	9.1	12.5	2.5	4.1	4.5	5.1	6.2	7.0
COP (W/W)	1.18	1.19	1.21	1.32	1.21	1.22	1.24	1.40	1.32	1.36
LRA (A)	76	76	85	109	22	22	45	60	60	65
MOC (A)	13.4	14.2	16.2	23.3	4	5.2	5.8	8.8	10.3	12.1
Crankcase Heater (W)	70									
Fitting Dimensions (Inch)										
Discharge Tube (OD)	1/2									
Suction Tube (OD)	7/8									
Product Dimensions(MM)										
Length (L)	239									
Width (W)	239									
Height (H)	418									
Feet Dimensions (Hole)	190X190(8.5)									
Oil Type	POE									
Initial Charge Volume(L)	1.4									
Recharge Volume(L)	1.25									
Max Operating Pressure(MPa)										
High Side	3.0									
Low Side	2.0									
Weight(kg)	31	31	31	33	30	30	30	32	32	33

E.T. -31.6°C, C.T. 40.6°C, R.G. 4.4°C, No Subcooling

YM Series

Operating Envelope





YM Series

Capacity

R22

Model	C.T. (°C)	E.T.(°C)						
		-15	-10	-5	0	5	10	
YM34AIG	Capacity (W)	60	3061	3663	4170	5062	6041	
		50	2788	3252	3931	4737	5694	6704
		40	3010	3532	4352	5237	6201	7300
	Watt (W)	60	3045	3772	4754	5706	6668	7512
		50	1858	1924	1994	2055	2146	2146
		40	1487	1542	1645	1715	1762	1839
		60	1277	1368	1453	1483	1512	1605
		50	1111	1193	1276	1303	1338	1408
		30						
YM43AIG	Capacity (W)	60	3887	4652	5295	6428	7671	
		50	3541	4130	4992	6016	7230	8513
		40	3822	4485	5526	6650	7875	9269
	Watt (W)	60	3866	4790	6037	7246	8468	9539
		50	2327	2410	2498	2573	2688	2688
		40	1862	1932	2060	2149	2207	2304
		60	1600	1714	1820	1857	1894	2011
		50	1391	1495	1599	1632	1677	1764
		30						
YM49AIG	Capacity (W)	60	4447	5322	6058	7354	8777	
		50	4051	4725	5712	6883	8273	9740
		40	4373	5131	6323	7609	9010	10606
	Watt (W)	60	4424	5481	6907	8291	9689	10914
		50	2574	2667	2764	2847	2974	2974
		40	2060	2137	2279	2377	2442	2548
		60	1770	1896	2014	2055	2096	2224
		50	1539	1654	1769	1805	1855	1952
		30						
YM70AIG	Capacity (W)	60	6365	7618	8671	10526	12563	
		50	5799	6763	8175	9852	11841	13942
		40	6259	7345	9050	10890	12897	15180
	Watt (W)	60	6332	7845	9886	11867	13867	15622
		50	3668	3800	3938	4057	4238	4238
		40	2936	3045	3247	3387	3479	3631
		60	2522	2701	2869	2928	2986	3170
		50	2193	2357	2520	2572	2643	2781
		30						
YM86AIG	Capacity (W)	60	7802	9337	10629	12902	15399	
		50	7107	8289	10021	12076	14513	17088
		40	7672	9003	11092	13348	15808	18607
	Watt (W)	60	7761	9616	12118	14545	16997	19148
		50	4418	4577	4743	4886	5104	5104
		40	3536	3668	3911	4080	4191	4374
		60	3037	3254	3456	3526	3597	3818
		50	2641	2838	3035	3098	3183	3349
		30						

Capacity @ 20°C Return Gas Temperature, No Sub Cooling

Capacity @ 11.1K Super Heat, No Sub Cooling

Model	C.T. (°C)	E.T.(°C)						
		-15	-10	-5	0	5	10	
YMI02AIG	Capacity (W)	60	9253	11074	12606	15303	18264	
		50	8430	9832	11885	14322	20268	
		40	9099	10677	13156	15832	18748	22069
		30	9205	11405	14372	17251	20160	22710
	Watt (W)	60	5240	5428	5626	5795	6054	
		50	4194	4350	4639	4839	4970	5188
		40	3603	3859	4099	4182	4266	4528
		30	3133	3366	3600	3674	3776	
YMI25AIG	Capacity (W)	60	10520	11942	14727	17441	20684	
		50	9329	11585	13738	16627	19673	23266
		40	10286	12836	15324	18424	21766	25708
		30	11868	14273	16698	20115	23719	28010
	Watt (W)	60	6497	6730	6976	7186	7506	
		50	5150	5342	5696	5941	6103	6370
		40	4554	4878	5181	5287	5392	5723
		30	3847	4134	4421	4512	4636	4878
YMI32AIG	Capacity (W)	60	11201	12714	15679	18569	22022	
		50	9932	12334	14627	17702	20946	24771
		40	10951	13666	16315	19615	23174	27370
		30	12635	15196	17777	21415	25253	29821
	Watt (W)	60	6783	7026	7283	7502	7836	
		50	5376	5577	5947	6203	6372	6650
		40	4754	5092	5409	5519	5629	5975
		30	4016	4316	4615	4710	4840	5093
YMI58AIG	Capacity (W)	60	13242	15031	18537	21953	26036	
		50	11742	14582	17293	20929	24763	29285
		40	12947	16156	19288	23190	27397	32358
		30	14938	17966	21017	25318	29856	35256
	Watt (W)	60	8019	8307	8610	8869	9265	
		50	6356	6593	7031	7333	7533	7862
		40	5620	6021	6395	6525	6655	7064
		30	4748	5102	5456	5569	5722	6021
YMI82AIG	Capacity (W)	60	15231	17289	21321	25250	29946	
		50	13506	16772	19890	24072	28482	33684
		40	14892	18583	22185	26673	31512	37219
		30	17182	20664	24174	29121	34340	40552
	Watt (W)	60	9133	9460	9805	10100	10551	
		50	7238	7508	8007	8351	8579	8953
		40	6401	6856	7283	7431	7579	8045
		30	5407	5810	6214	6342	6516	6856

Capacity @ 20°C Return Gas Temperature, No Sub Cooling

Capacity @ 11.1K Super Heat, No Sub Cooling

YM Series

Capacity

R22

Model	C.T. (°C)	E.T.(°C)							
		-15	-10	-5	0	5	10		
YM200AIG	Capacity (W)	60		17219	19547	24105	28547	33856	
		50	15269	18963	22487	27215	32201	38082	
		40	16836	21010	25082	30156	35627	42079	
		30	19425	23362	27331	32924	38824	45847	
	Watt (W)	60		10325	10695	11086	11419	11928	
		50	8184	8489	9052	9442	9699	10123	
		40	7236	7752	8234	8401	8568	9095	
		30	6113	6569	7025	7170	7367	7752	
	YM210AIG	Capacity (W)	60		17952	20378	25131	29762	35297
			50	15919	19769	23444	28374	33572	39703
			40	17553	21904	26149	31439	37143	43869
			30	20252	24357	28494	34325	40476	47798
Watt (W)		60		10657	11039	11442	11786	12312	
		50	8446	8762	9343	9745	10011	10448	
		40	7469	8001	8498	8671	8844	9388	
		30	6309	6780	7251	7400	7604	8001	

Capacity @ 20°C Return Gas Temperature, No Sub Cooling

Capacity @ 11.1K Super Heat, No Sub Cooling

Model	C.T. (°C)	E.T.(°C)										
		-30	-25	-20	-15	-10	-5	0	5	10		
YM34E1G	Capacity (W)	60			1665	1990	2482	2994	3606	4320	5034	
		50	1132	1609	2086	2528	3103	3733	4462	5320	6177	
		40	1545	2026	2507	3065	3723	4471	5319	6320	7320	
	Watt (W)	30	1760	2344	2928	3543	4324	5170	6136	7280	8423	
		60			2285	2291	2294	2300	2313	2272	2231	
		50	1888	1901	1913	1915	1916	1923	1907	1888	1870	
	YM43E1G	Capacity (W)	40	1519	1529	1540	1538	1537	1546	1501	1505	1509
			30	1210	1219	1229	1227	1226	1220	1193	1183	1173
			60			2112	2525	3149	3798	4574	5480	6385
Watt (W)		50	1436	2041	2646	3206	3936	4735	5661	6748	7835	
		40	1960	2570	3180	3888	4723	5672	6747	8016	9286	
		30	2232	2973	3715	4494	5485	6558	7783	9234	10685	
YM49E1G		Capacity (W)	60			2856	2863	2867	2874	2890	2839	2788
			50	2360	2375	2390	2393	2394	2403	2383	2360	2336
			40	1898	1911	1924	1922	1920	1931	1876	1880	1885
	Watt (W)	30	1512	1524	1535	1534	1532	1525	1490	1478	1465	
		60			2409	2880	3592	4333	5218	6251	7284	
		50	1638	2328	3018	3658	4490	5401	6457	7698	8938	
	YM70E1G	Capacity (W)	40	2236	2932	3628	4435	5388	6470	7697	9145	10593
			30	2546	3392	4237	5126	6257	7481	8879	10534	12189
			60			3167	3175	3180	3187	3205	3148	3092
Watt (W)		50	2617	2634	2650	2653	2655	2665	2642	2617	2591	
		40	2105	2119	2134	2132	2130	2142	2080	2085	2091	
		30	1677	1690	1703	1701	1699	1691	1653	1639	1625	
YM86E1G		Capacity (W)	60			3521	4210	5250	6333	7627	9137	10647
			50	2395	3403	4412	5346	6563	7895	9439	11252	13066
			40	3268	4286	5303	6483	7876	9457	11251	13367	15484
	Watt (W)	30	3722	4958	6194	7493	9146	10935	12979	15398	17817	
		60			4420	4431	4437	4448	4472	4393	4314	
		50	3652	3675	3699	3703	3705	3719	3687	3652	3616	
	YM86E1G	Capacity (W)	40	2937	2958	2978	2975	2972	2989	2903	2910	2918
			30	2340	2358	2376	2374	2371	2360	2307	2287	2268
			60			4316	5160	6436	7763	9349	11200	13051
Watt (W)		50	2935	4172	5408	6553	8045	9677	11570	13792	16015	
		40	4006	5253	6500	7946	9653	11592	13791	16385	18979	
		30	4562	6077	7592	9185	11210	13403	15908	18873	21839	
Watt (W)		60			5323	5337	5345	5358	5387	5292	5197	
		50	4399	4427	4455	4460	4462	4479	4442	4399	4356	
		40	3538	3563	3587	3583	3580	3600	3497	3506	3515	
30	2819	2841	2862	2859	2856	2842	2778	2755	2732			

Capacity @ 20°C Return Gas Temperature, No Sub Cooling

Model	C.T. (°C)	E.T.(°C)										
		-30	-25	-20	-15	-10	-5	0	5	10		
YMI02EIG	Capacity (W)	60			5119	6120	7633	9206	11087	13283	15478	
		50	3481	4947	6414	7772	9541	11477	13722	16357	18993	
		40	4751	6230	7709	9424	11449	13748	16356	19432	22509	
	Watt (W)	60			6440	6456	6465	6481	6516	6401	6286	
		50	5321	5355	5390	5395	5398	5418	5373	5321	5269	
		40	4280	4310	4339	4335	4330	4355	4230	4241	4252	
		30	3410	3436	3462	3459	3455	3438	3361	3333	3305	
	YMI25EIG	Capacity (W)	60			5983	7153	8921	10760	12959	15525	18091
			50	4069	5783	7497	9084	11151	13415	16038	19119	22200
40			5553	7282	9010	11015	13382	16069	19117	22712	26308	
Watt (W)		60			7981	8001	8012	8032	8075	8084	8087	
		50	6469	6510	6552	6559	6562	6587	6532	6594	6654	
		40	5203	5239	5270	5275	5285	5295	5322	5354	5398	
		30	4146	4177	4205	4209	4254	4318	4345	4404	4482	
YMI32EIG		Capacity (W)	60			6370	7615	9498	11456	13797	16529	19261
			50	4332	6157	7981	9672	11873	14282	17075	20355	23635
	40		5912	7753	9593	11728	14247	17108	20353	24181	28010	
	Watt (W)	60			8332	8353	8365	8385	8431	8440	8443	
		50	6754	6797	6840	6848	6851	6877	6819	6884	6947	
		40	5432	5470	5502	5507	5517	5528	5556	5590	5636	
		30	4328	4361	4390	4394	4442	4508	4537	4598	4679	
	YMI58EIG	Capacity (W)	60			7531	9003	11229	13544	16312	19541	22771
			50	5121	7279	9436	11434	14036	16885	20187	24065	27943
40			6990	9166	11341	13865	16844	20226	24062	28588	33114	
Watt (W)		60			9753	9777	9792	9815	9868	9879	9883	
		50	7905	7956	8007	8015	8019	8049	7982	8058	8132	
		40	6358	6402	6440	6447	6458	6470	6503	6543	6597	
		30	5066	5105	5138	5143	5199	5277	5310	5382	5477	
YMI82EIG		Capacity (W)	60			8662	10356	12916	15579	18762	22476	26191
			50	5890	8372	10853	13152	16144	19421	23219	27679	32140
	40		8040	10542	13045	15948	19373	23264	27676	32882	38088	
	Watt (W)	60			11218	11246	11262	11290	11351	11363	11367	
		50	9093	9151	9209	9219	9223	9258	9181	9269	9353	
		40	7313	7364	7407	7415	7428	7442	7480	7526	7588	
		30	5827	5872	5910	5916	5980	6070	6108	6190	6300	

Capacity @ 20°C Return Gas Temperature, No Sub Cooling

Model	C.T. (°C)	E.T.(°C)										
		-30	-25	-20	-15	-10	-5	0	5	10		
YM200EIG	Capacity (W)	60			9793	11708	14602	17613	21212	25412	29611	
		50	6659	9465	12271	14869	18253	21957	26251	31294	36337	
		40	9089	11919	14748	18030	21903	26302	31290	37176	43062	
	Watt (W)	60			12682	12714	12733	12764	12833	12847	12852	
		50	10280	10346	10412	10423	10428	10467	10380	10479	10574	
		40	8268	8326	8374	8383	8398	8414	8457	8509	8579	
		30	6588	6638	6682	6689	6761	6863	6906	6998	7123	
	YM210EIG	Capacity (W)	60			10210	12206	15224	18362	22114	26493	30871
			50	6943	9868	12793	15502	19029	22892	27368	32625	37883
40			9476	12426	15376	18797	22835	27421	32622	38758	44894	
Watt (W)		60			13090	13123	13142	13174	13245	13259	13265	
		50	10610	10678	10746	10758	10763	10804	10713	10816	10914	
		40	8534	8593	8643	8653	8668	8684	8728	8782	8854	
		30	6800	6852	6896	6903	6978	7083	7127	7223	7352	

Capacity @ 20°C Return Gas Temperature, No Sub Cooling

YF Series

Capacity

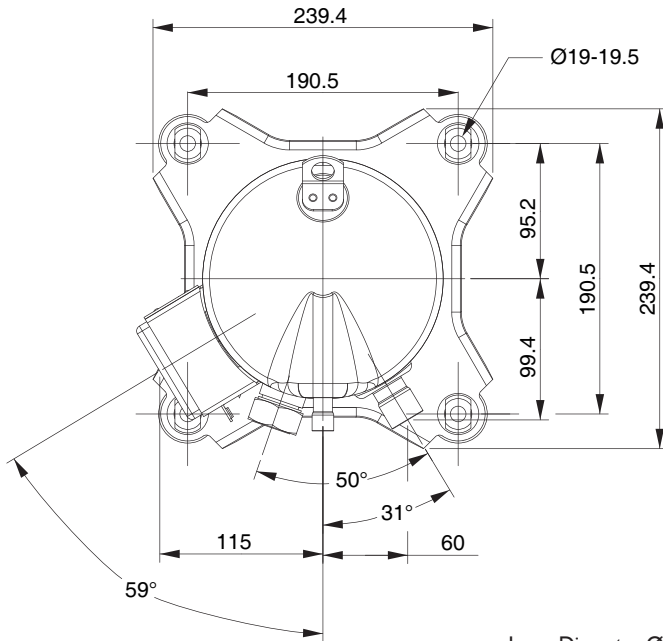
R22

Model	C.T. (°C)	E.T.(°C)									
		-40	-35	-30	-25	-20	-15	-10	-5	0	
YF13AIG-Q100	Capacity (W)	50	852	1081	1332	1673	2045	2492	2988	3535	4170
		40	940	1190	1478	1839	2281	2732	3283	3883	4593
		30	1020	1282	1605	1986	2451	2954	3560	4194	4923
	Watt (W)	50	1167	1201	1232	1273	1311	1359	1403	1458	1509
		40	997	1025	1053	1090	1124	1168	1210	1261	1309
		30	851	872	897	930	969	1016	1061	1118	1177
YF17AIG-Q100	Capacity (W)	50	1107	1407	1735	2180	2667	3252	3900	4615	5446
		40	1223	1550	1927	2399	2976	3566	4286	5072	6000
		30	1328	1671	2093	2590	3199	3856	4649	5478	6432
	Watt (W)	50	1510	1556	1595	1649	1698	1793	1816	1887	1954
		40	1291	1327	1364	1412	1456	1512	1567	1633	1694
		30	1102	1129	1161	1204	1255	1316	1374	1448	1525
YF20AIG-Q100	Capacity (W)	50	1278	1621	1997	2510	3068	3738	4482	5302	6255
		40	1409	1786	2216	2758	3372	4098	4924	5824	6889
		30	1530	1923	2408	2979	3676	4431	5339	6291	7385
	Watt (W)	50	1886	1942	1993	2059	2121	2199	2271	2361	2444
		40	1613	1658	1703	1764	1820	1892	1959	2043	2121
		30	1379	1412	1453	1507	1570	1646	1720	1814	1909
YF29AIG-Q100	Capacity (W)	50	1914	2428	2992	3760	4595	5600	6713	7942	9370
		40	2111	2675	3320	4132	5051	6139	7376	8724	10319
		30	2292	2881	3607	4462	5506	6637	7998	9424	11062
	Watt (W)	50	2544	2619	2687	2777	2860	2965	3062	3183	3295
		40	2175	2235	2297	2378	2454	2551	2642	2754	2860
		30	1859	1904	1959	2032	2117	2220	2319	2446	2574
YF35AIG-Q100	Capacity (W)	50	2323	2947	3632	4564	5578	6797	8149	9640	11373
		40	2562	3247	4030	5015	6131	7452	8953	10589	12525
		30	2782	3497	4378	5416	6683	8056	9708	11439	13427
	Watt (W)	50	3010	3099	3179	3286	3384	3508	3623	3767	3899
		40	2573	2645	2718	2814	2904	3019	3126	3259	3384
		30	2199	2253	2318	2404	2504	2627	2744	2894	3046
YF41AIG-Q100	Capacity (W)	50	2783	3530	4350	5467	6682	8142	9761	11548	13623
		40	3069	3889	4827	6008	7344	8927	10725	12685	15004
		30	3332	4188	5244	6488	8006	9650	11629	13702	16084
	Watt (W)	50	3498	3602	3695	3819	3933	4078	4212	4378	4532
		40	2991	3074	3159	3271	3375	3509	3634	3788	3933
		30	2556	2619	2694	2795	2911	3053	3190	3364	3541

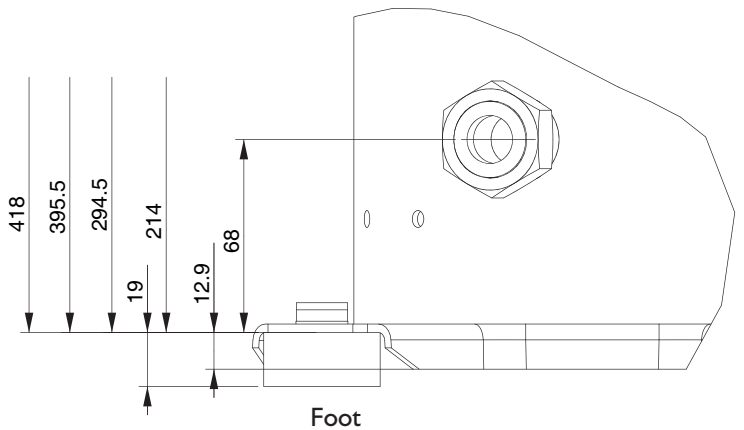
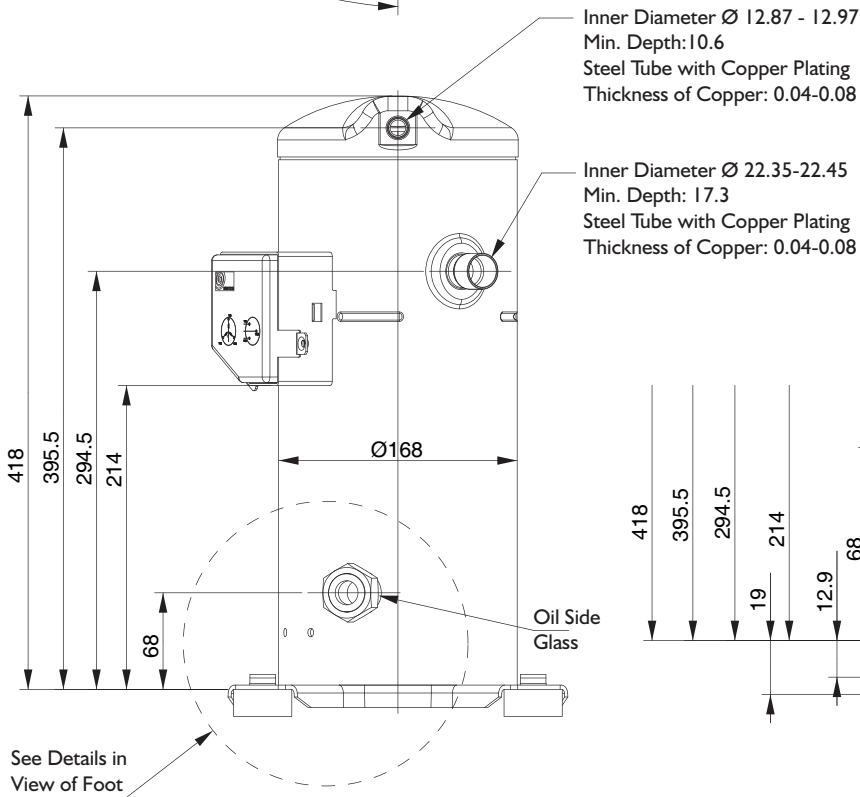
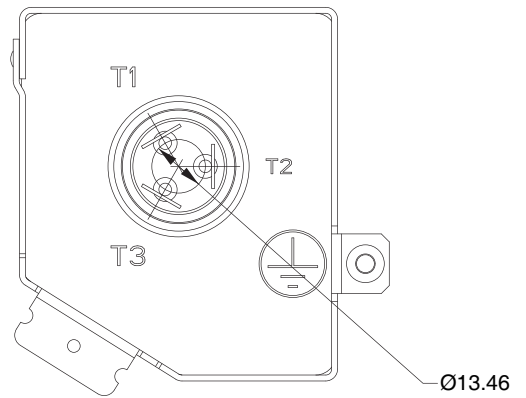
Capacity @ 20°C Return Gas Temperature, No Sub Cooling, Liquid injection

Model	C.T. (°C)	E.T.(°C)									
		-40	-35	-30	-25	-20	-15	-10	-5	0	
YF13EIG-Q100	Capacity (W)	50	848	1061	1328	1613	1949	2337	2762	3249	3782
		40	980	1233	1535	1891	2316	2811	3378	4026	4759
		30	1109	1416	1754	2182	2659	3189	3773	4423	5139
	Watt (W)	50	1081	1141	1199	1249	1303	1359	1415	1471	1526
		40	895	942	986	1030	1077	1123	1168	1214	1260
		30	740	777	811	851	898	949	1003	1060	1121
YF17EIG-Q100	Capacity (W)	50	1102	1381	1730	2102	2542	3050	3605	4242	4939
		40	1275	1606	2001	2467	3022	3669	4410	5259	6217
		30	1444	1846	2287	2846	3471	4163	4927	5777	6714
	Watt (W)	50	1399	1478	1552	1618	1688	1760	1832	1904	1976
		40	1159	1220	1277	1334	1395	1454	1513	1572	1631
		30	958	1006	1050	1102	1163	1229	1299	1373	1452
YF20EIG-Q100	Capacity (W)	50	1273	1601	2012	2450	2967	3564	4218	4968	5787
		40	1488	1877	2342	2890	3544	4305	5177	6175	7302
		30	1681	2154	2673	3331	4066	4880	5779	6779	7881
	Watt (W)	50	2036	2149	2256	2350	2451	2555	2658	2762	2866
		40	1691	1778	1860	1942	2030	2115	2200	2284	2369
		30	1401	1471	1533	1609	1697	1791	1892	1998	2112
YF29EIG-Q100	Capacity (W)	50	1918	2412	3030	3691	4470	5370	6354	7484	8717
		40	2242	2828	3528	4354	5339	6485	7799	9303	11001
		30	2532	3244	4027	5018	6125	7352	8706	10212	11872
	Watt (W)	50	2436	2572	2699	2812	2932	3056	3181	3305	3429
		40	2023	2128	2226	2323	2429	2530	2632	2733	2835
		30	1677	1759	1835	1925	2030	2143	2263	2391	2526
YF35EIG-Q100	Capacity (W)	50	2315	2912	3657	4454	5395	6481	7669	9032	10521
		40	2705	3414	4259	5255	6444	7826	9412	11228	13277
		30	3056	3916	4860	6056	7393	8873	10508	12325	14329
	Watt (W)	50	2883	3043	3194	3327	3470	3617	3763	3910	4057
		40	2393	2518	2633	2749	2874	2994	3114	3234	3354
		30	1984	2082	2171	2278	2402	2536	2678	2829	2989
YF41EIG-Q100	Capacity (W)	50	2773	3488	4381	5336	6462	7763	9187	10819	12603
		40	3241	4089	5101	6295	7719	9375	11275	13450	15904
		30	3661	4691	5821	7255	8856	10629	12587	14765	17164
	Watt (W)	50	3350	3537	3712	3868	4033	4204	4374	4545	4715
		40	2782	2926	3061	3195	3340	3480	3619	3759	3899
		30	2306	2420	2523	2647	2792	2947	3113	3288	3475

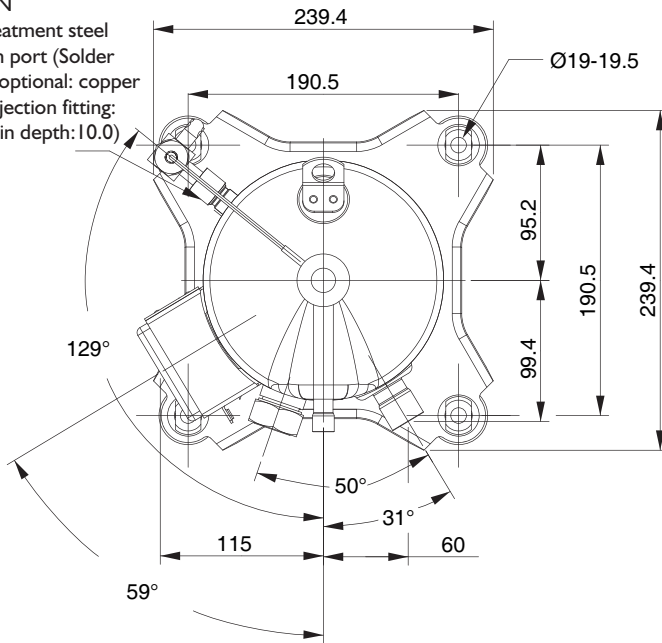
Capacity @ 20°C Return Gas Temperature, No Sub Cooling, Liquid injection



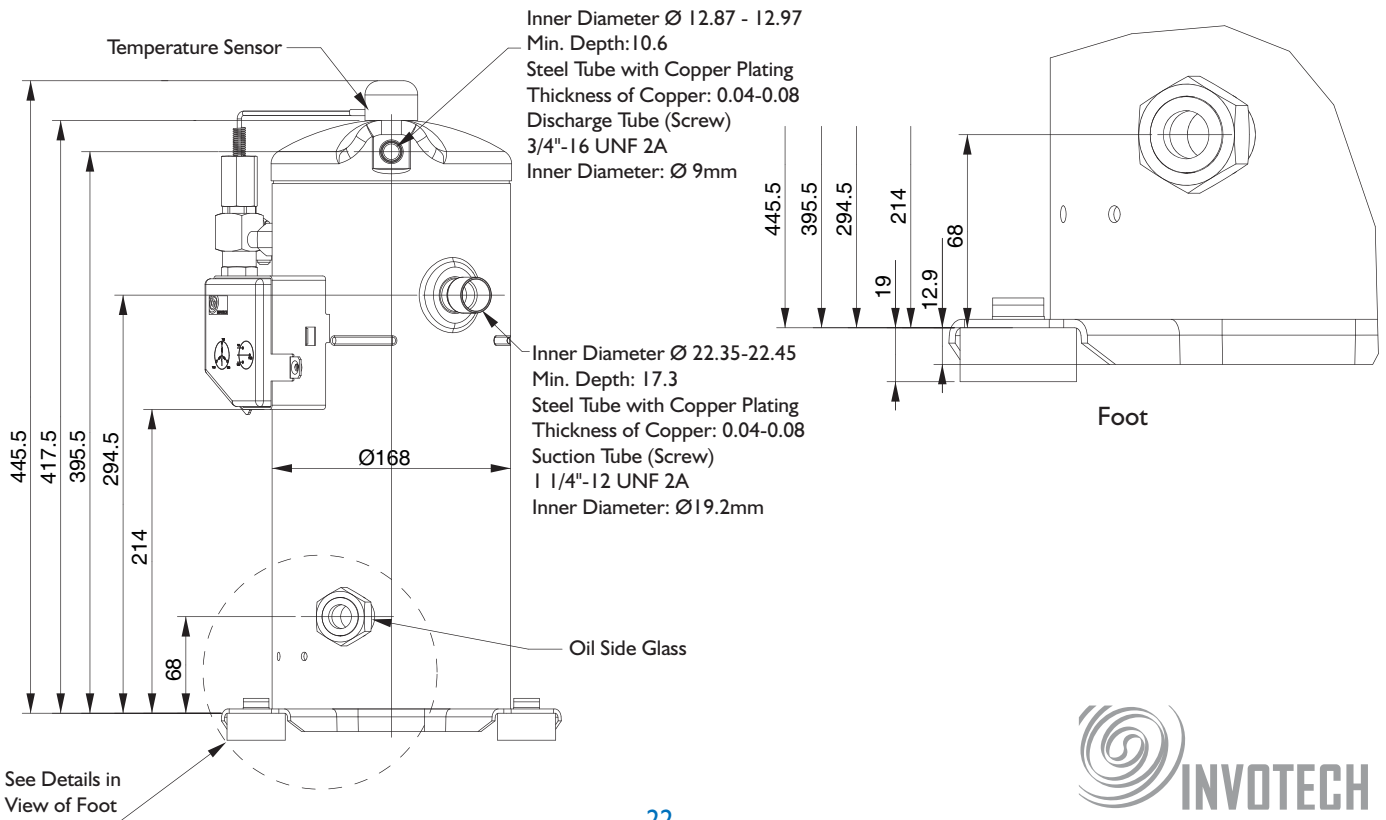
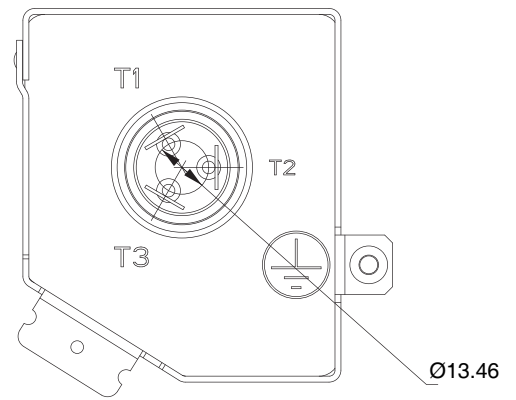
Wiring Diagram

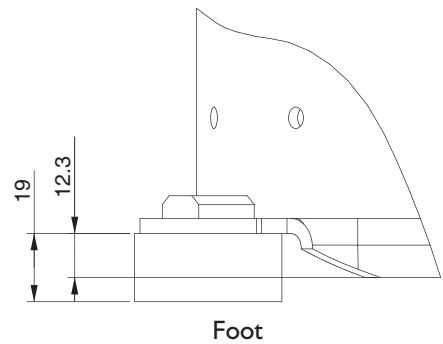
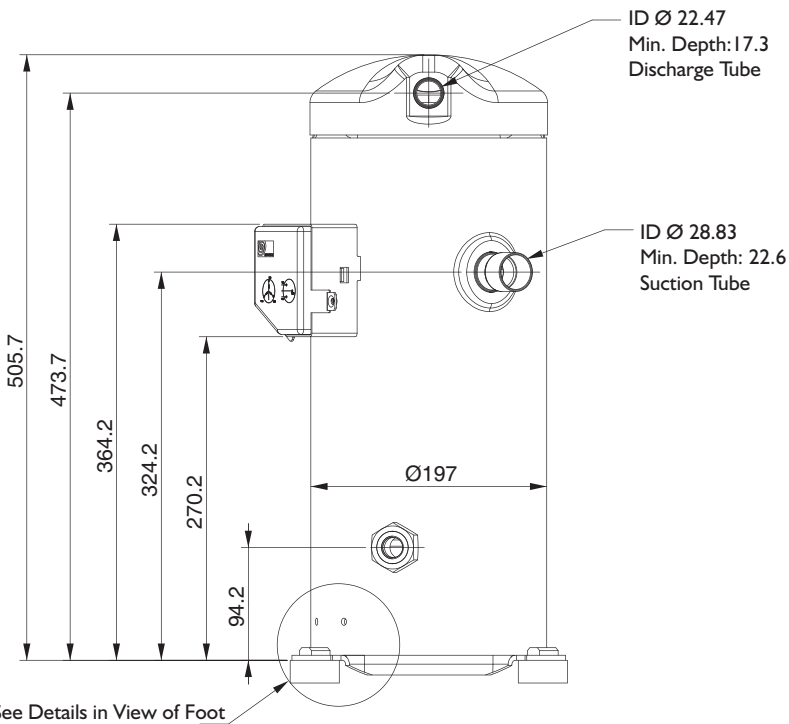
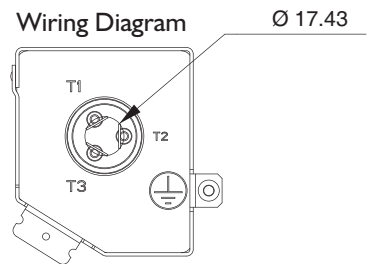
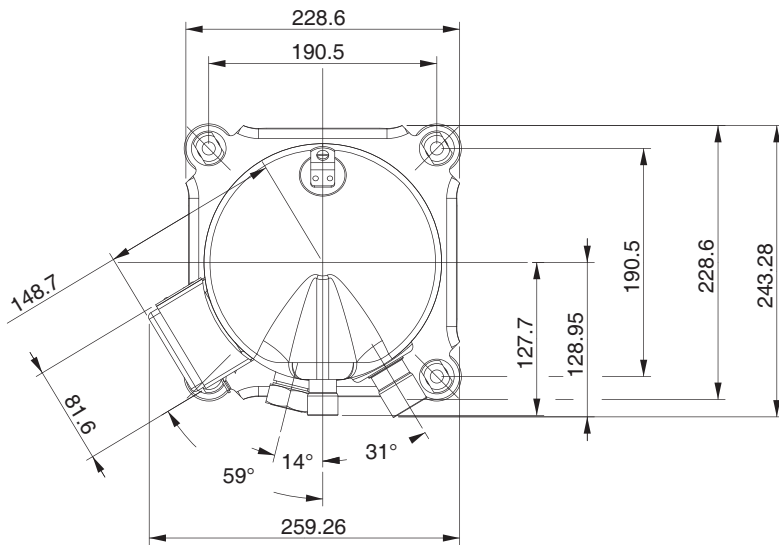


Thread Rotalock connection:
 1 1/16" - 16 UN
 Blackening treatment steel
 liquid injection port (Solder
 connection is optional: copper
 plated steel injection fitting:
 ID:Ø12.97; min depth:10.0)



Wiring Diagram







Invotech Scroll Technologies

No. 68, Dongnan Road, Changshu, Jiangsu, PRC.

TEL: +86 512 5290 5990

FAX: +86 512 5290 5996

Email: scroll@invotech.cn

www.invotech.cn